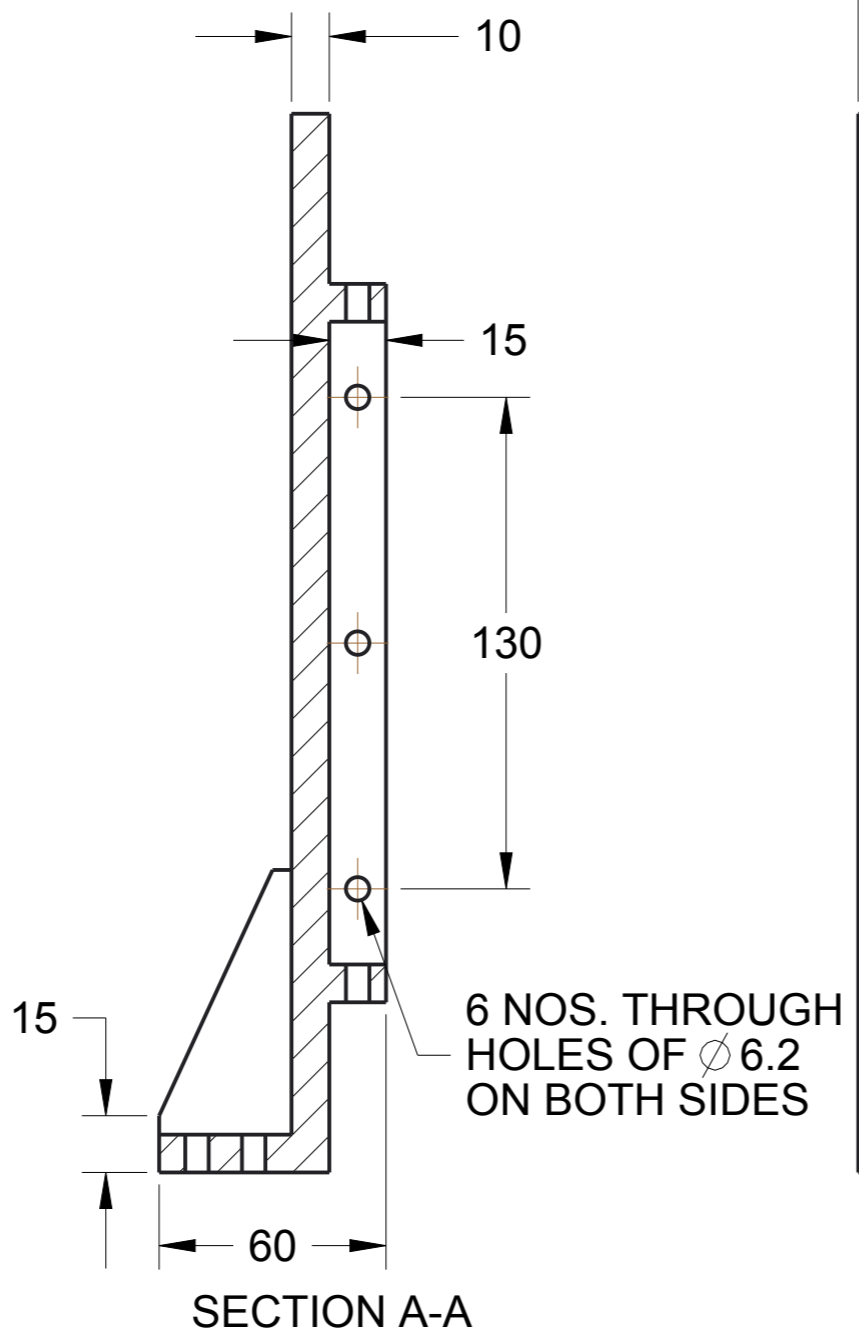
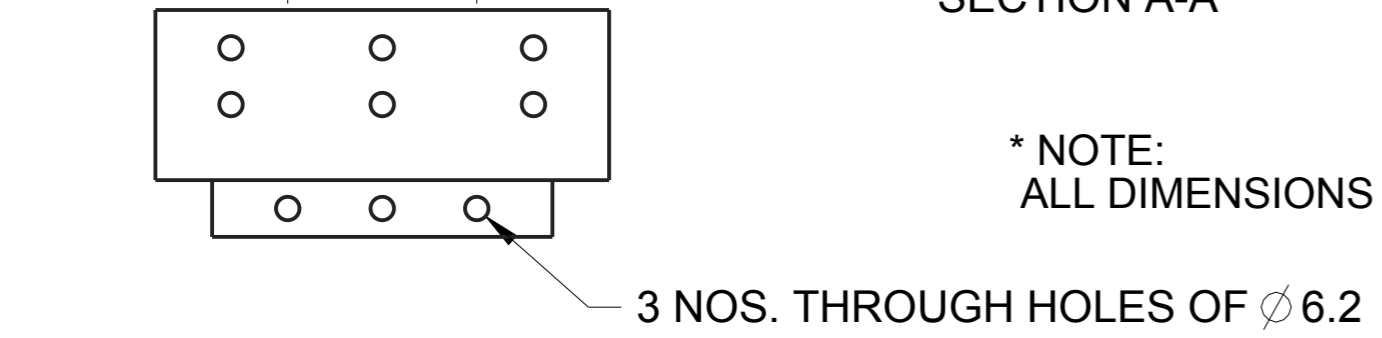
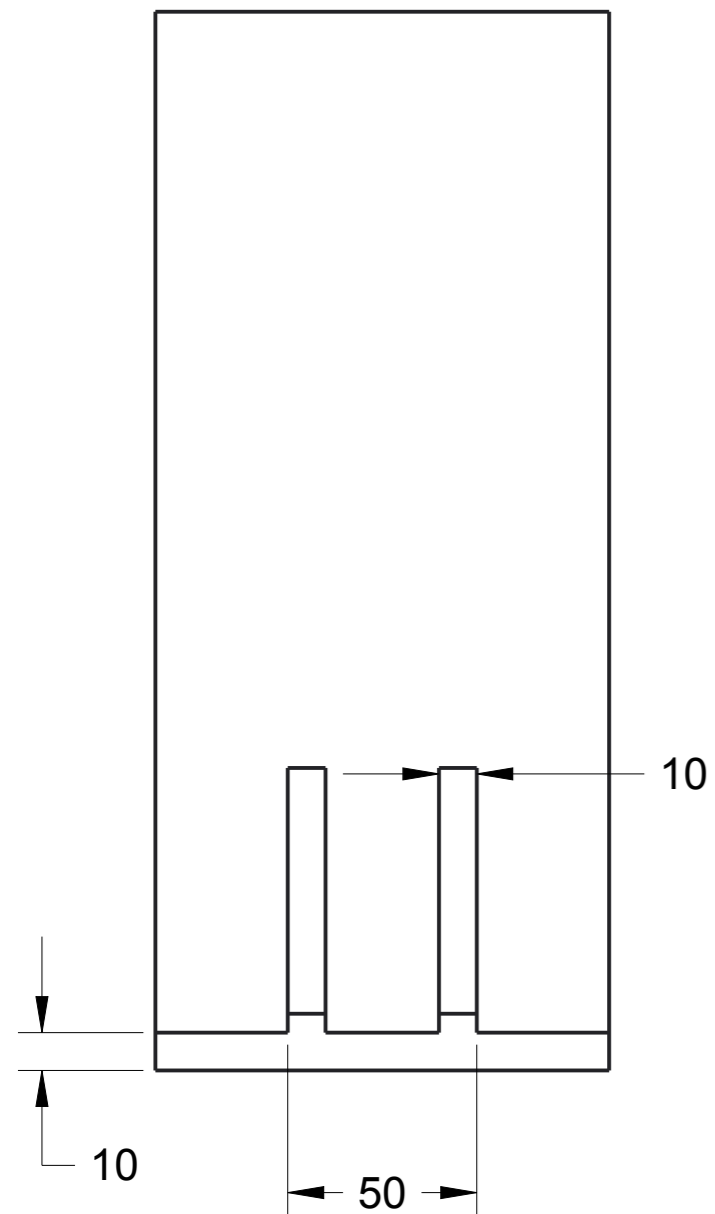
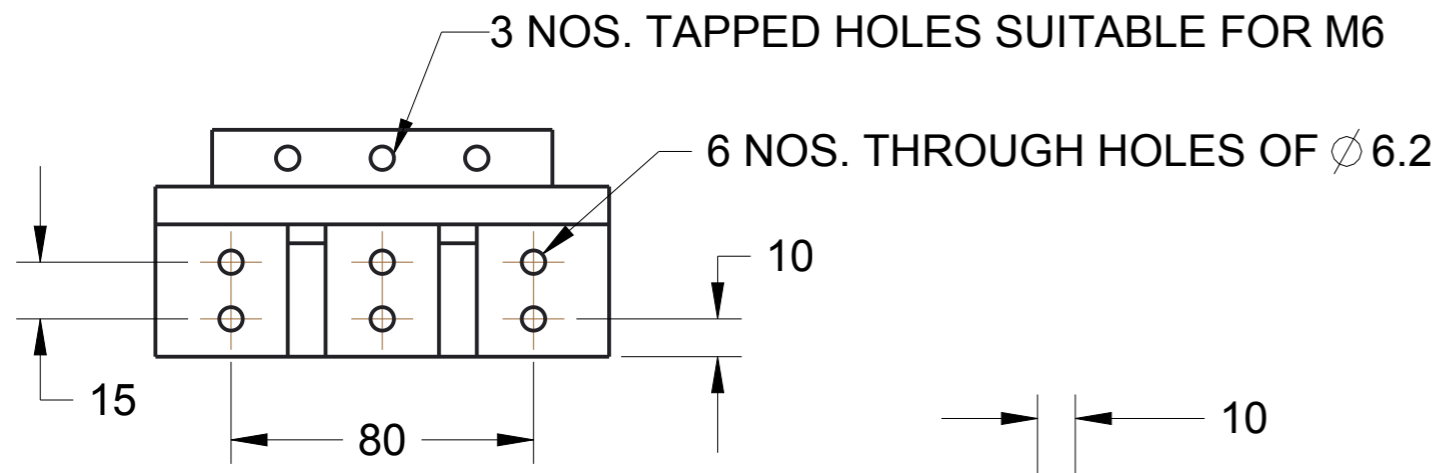


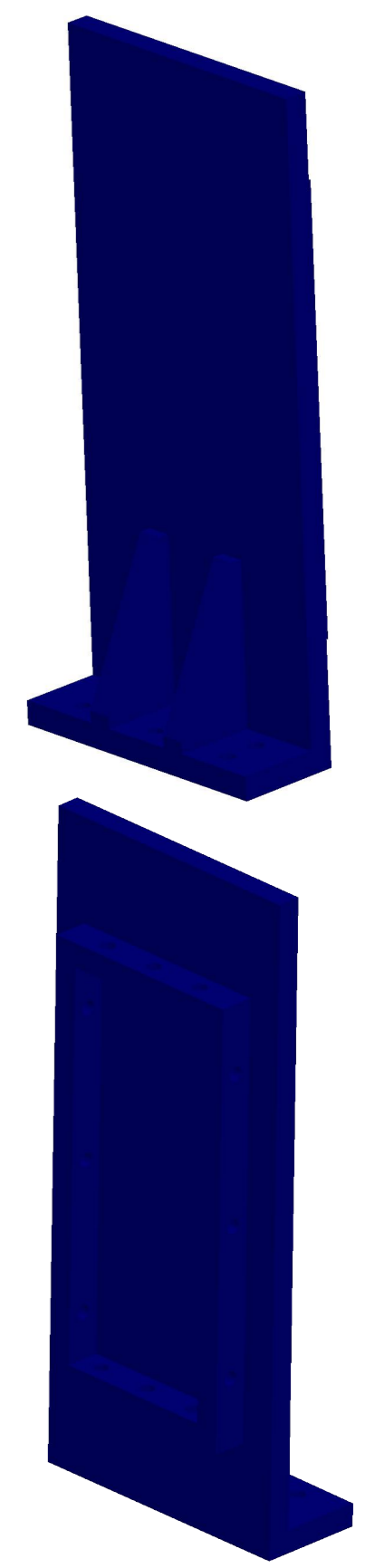
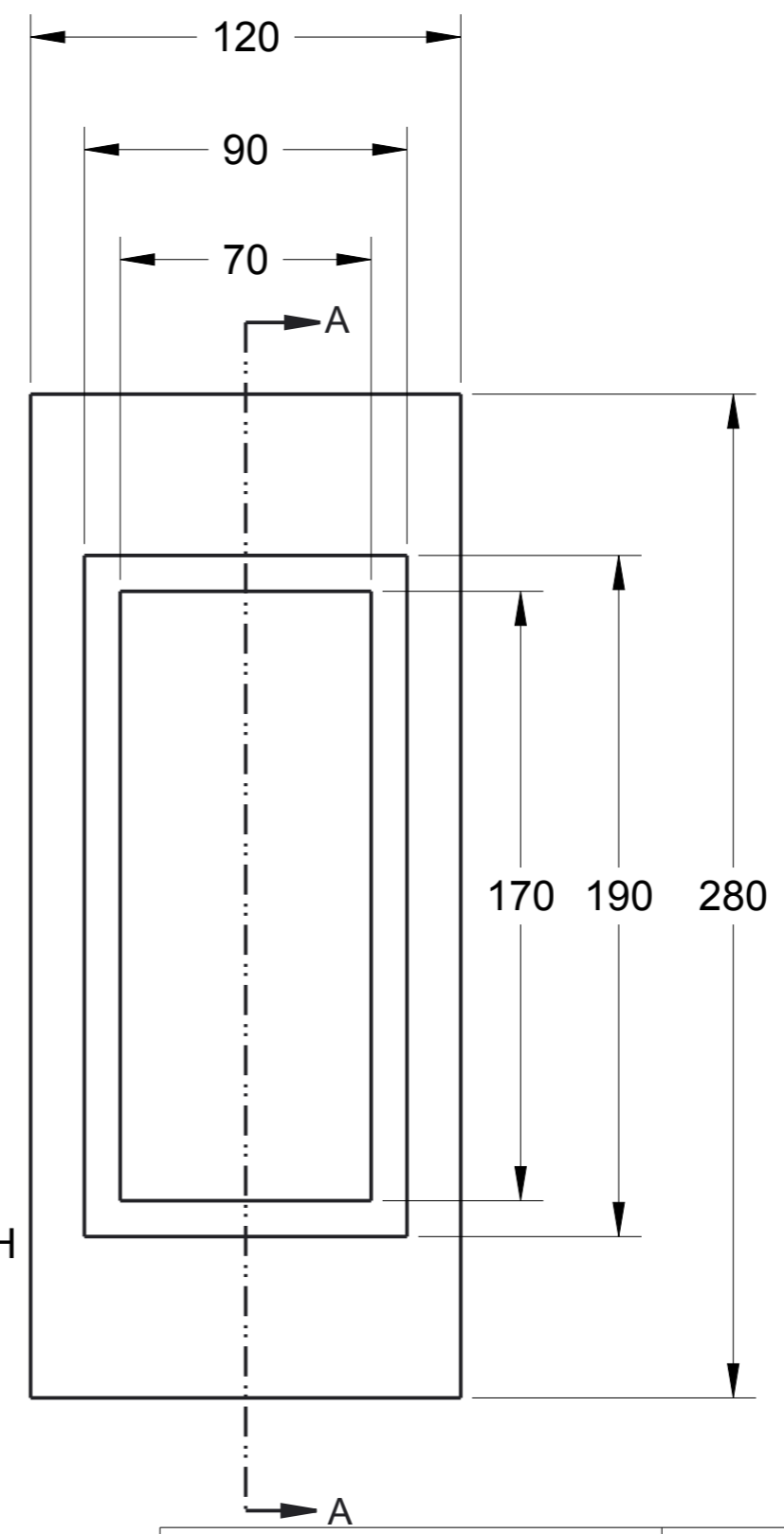
* NOTE:
ALL DIMENSIONS ARE IN mm

12	LINK 5 ASSEMBLY	AL6061T6	1
11	LINK 4 ASSEMBLY	AL6061T6	1
10	LINK 3 ASSEMBLY	AL6061T6	1
9	LINK 2 ASSEMBLY	AL6061T6	1
8	LINK 1 ASSEMBLY	AL6061T6	1
7	LINK 0 ASSEMBLY	SS304	1
6	JOINT 5 ASSEMBLY	-	1
5	JOINT 4 ASSEMBLY	-	1
4	JOINT 3 ASSEMBLY	-	1
3	JOINT 2 ASSEMBLY	-	1
2	JOINT 1 ASSEMBLY	-	1
1	BASE	SS304	1
SR. NO.	DESCRIPTION	MATERIAL	QTY

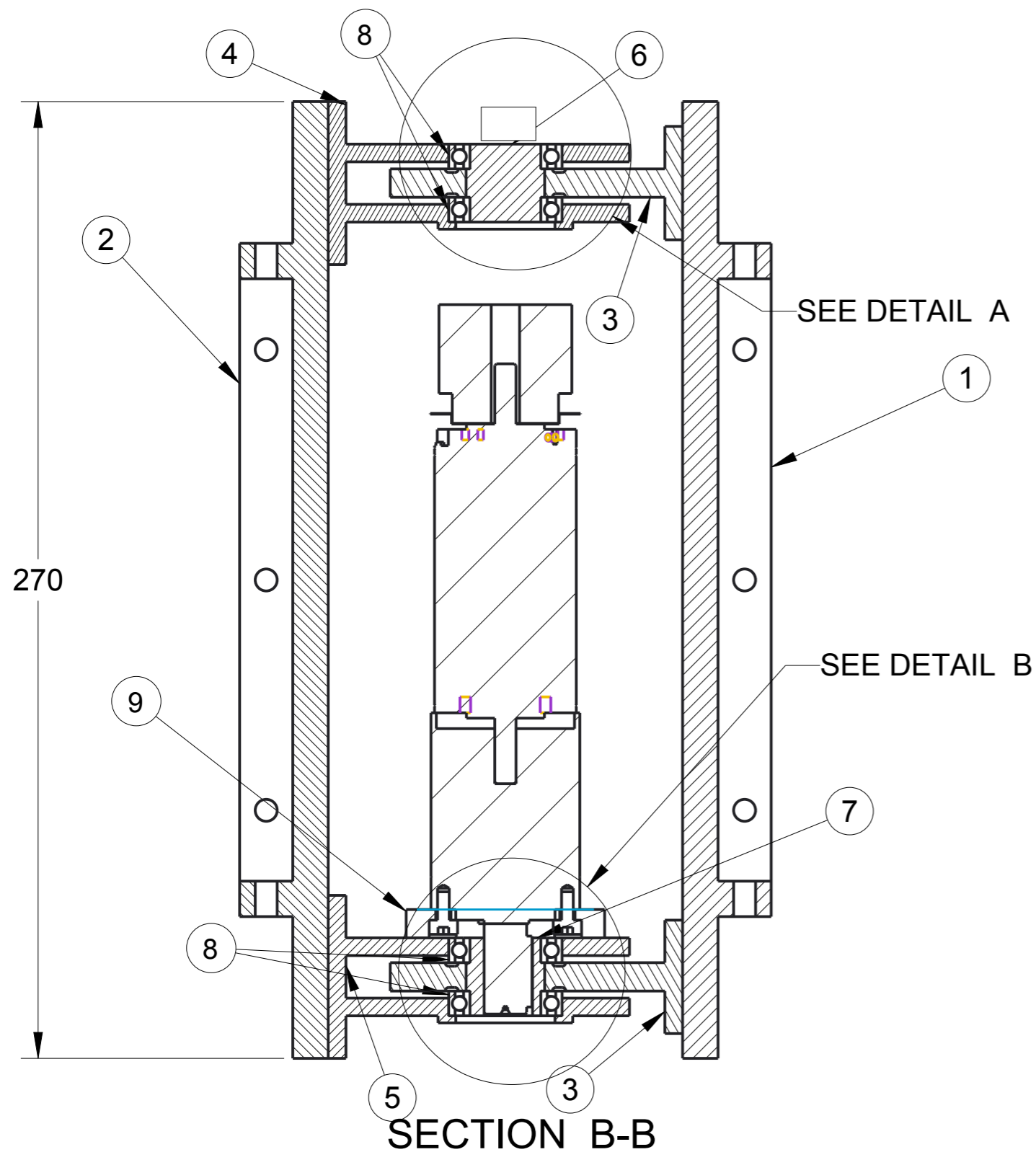
This drawing is our property. it can't be produced or communicated without our written agreement.		INSTITUTE FOR PLASMA RESEARCH	
DRAWN BY	DATE	IVIS ASSEMBLY	
CHECKED BY	DATE	A3 SIZE	IPR/RHRTD/IVIS/DRG- 01
		MATERIAL :	WEIGHT : 68.265 kg
			SHEET



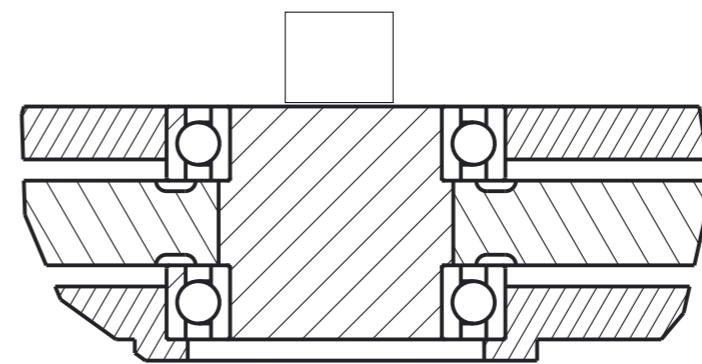
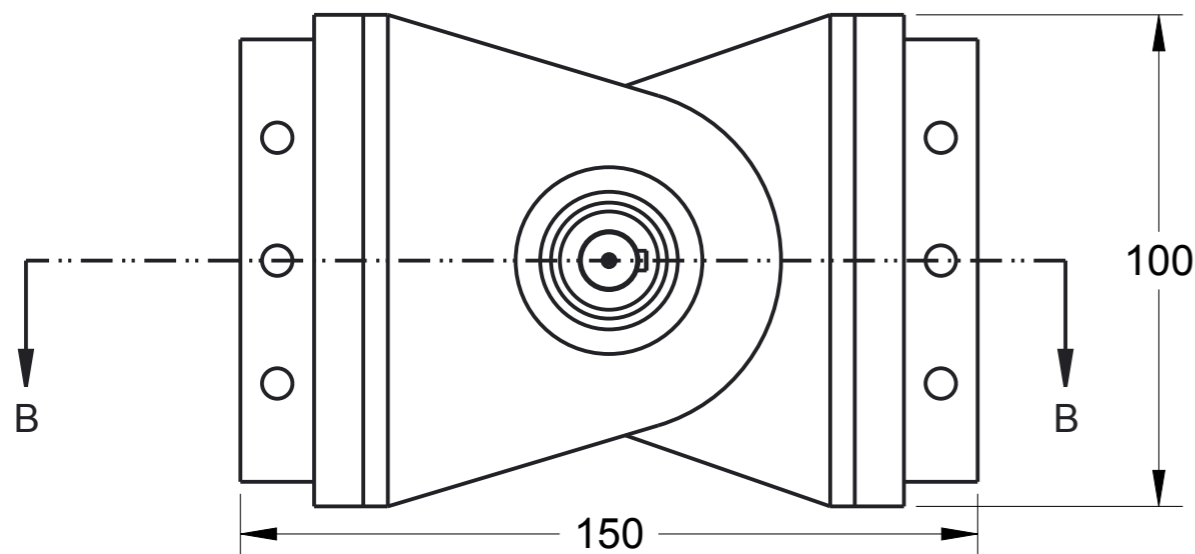
* NOTE:
ALL DIMENSIONS ARE IN mm



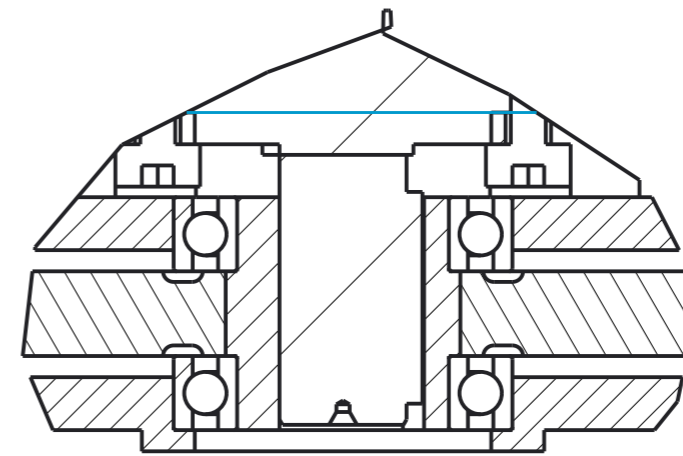
This drawing is our property. it can't be produced or communicated without our written agreement.		INSTITUTE FOR PLASMA RESEARCH		
DRAWN BY	DATE	BASE		
CHECKED BY	DATE	A3 SIZE	IPR/RHRTD/IVIS/DRG-02	
		MATERIAL : SS304	WEIGHT : 3.72 kg	SHEET



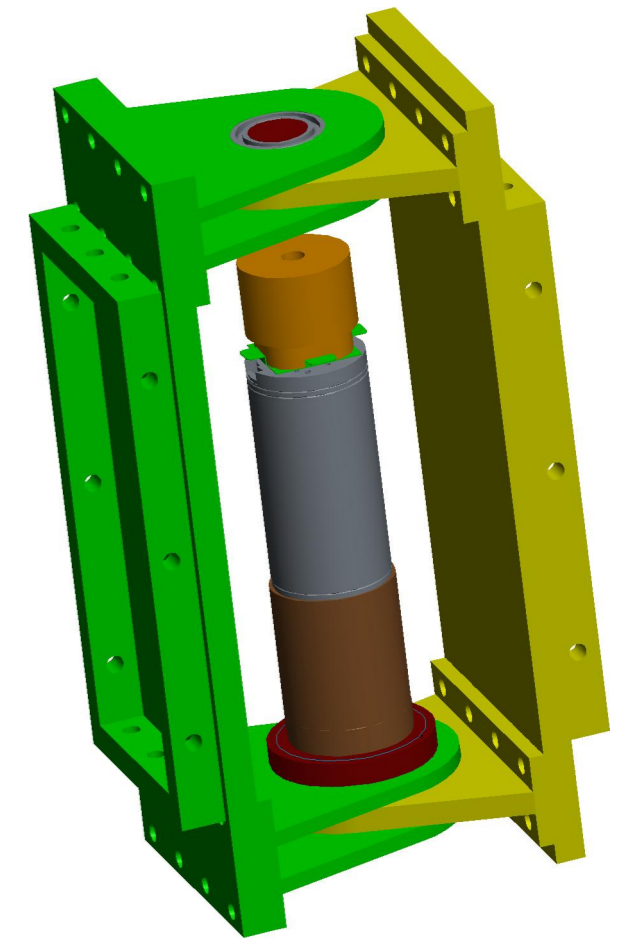
SECTION B-B



DETAIL : A



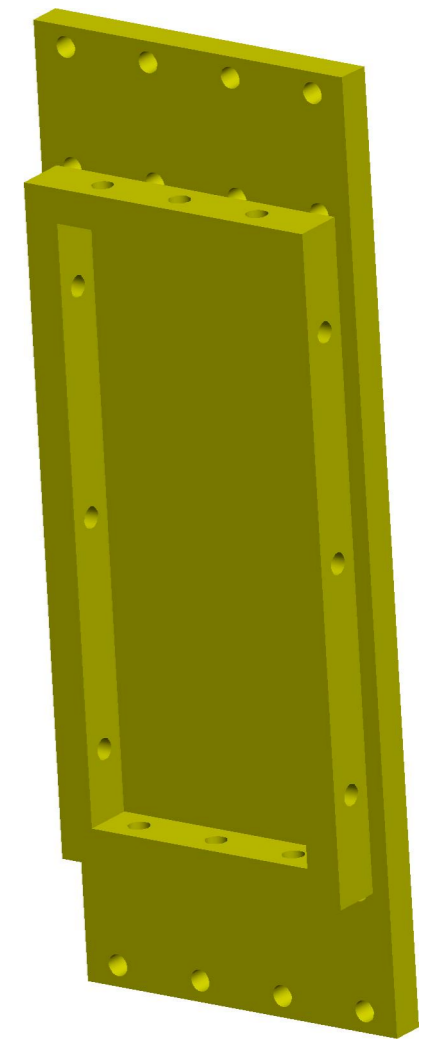
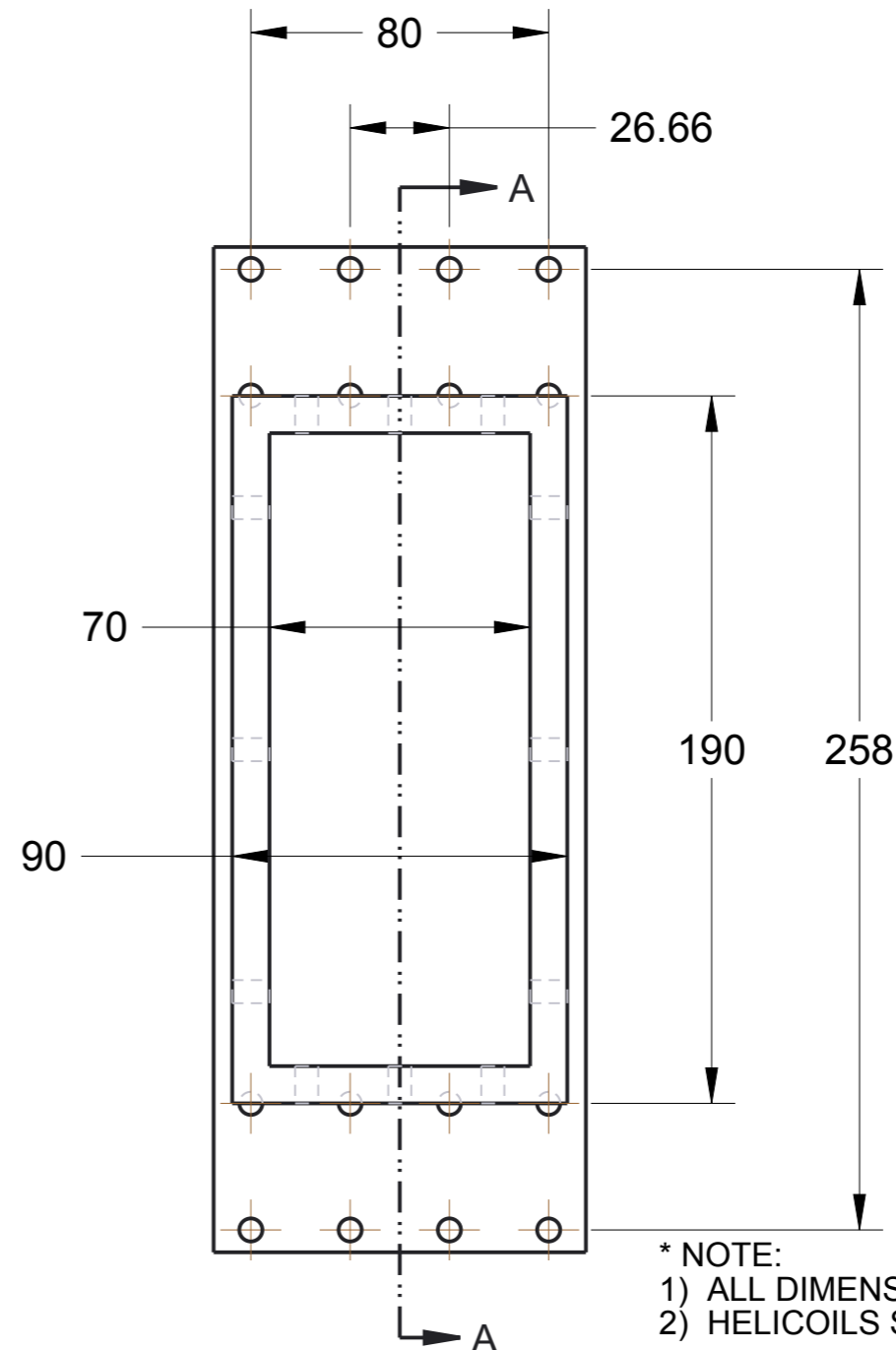
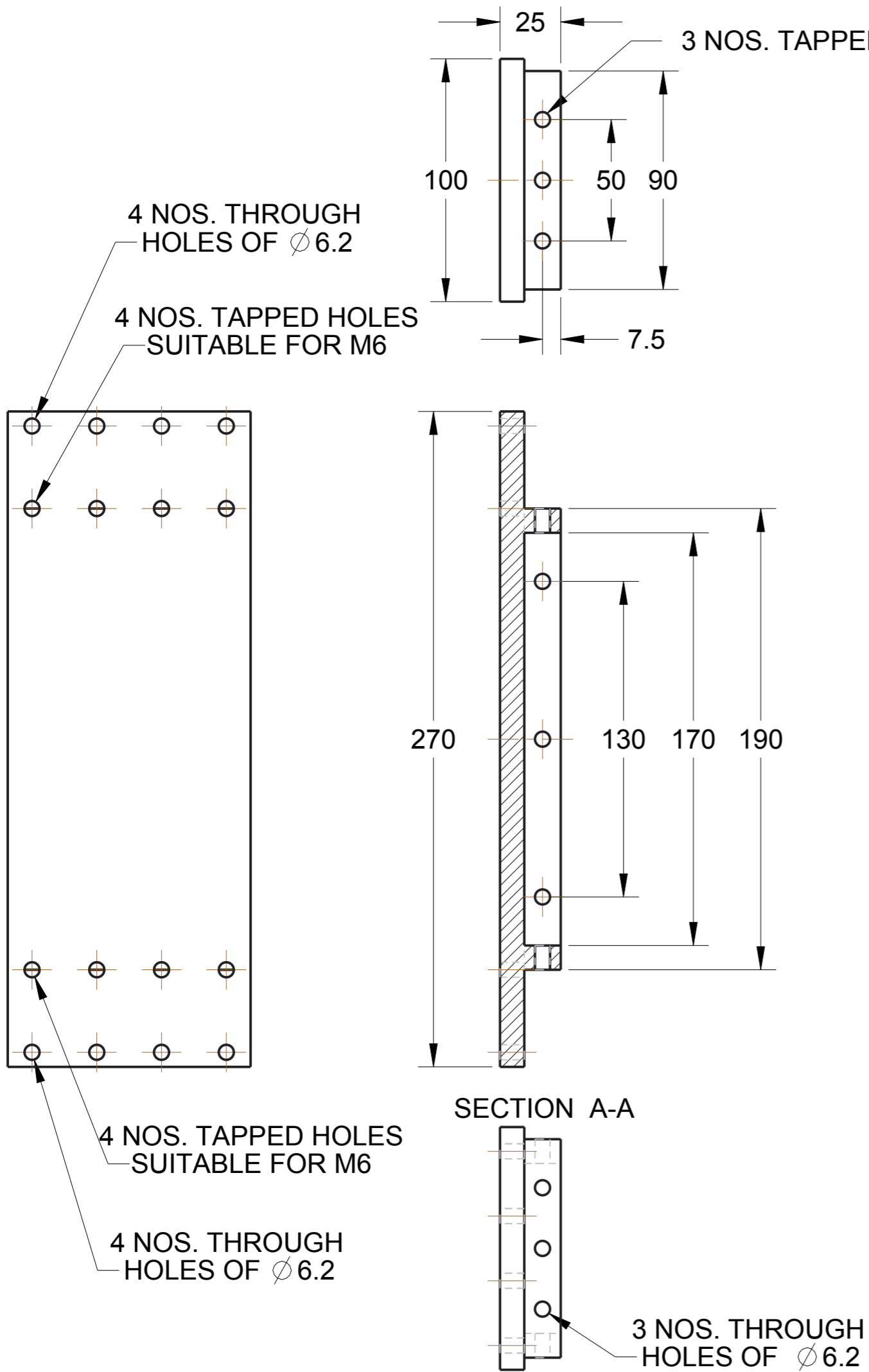
DETAIL : B



* NOTE:
ALL DIMENSIONS ARE IN mm

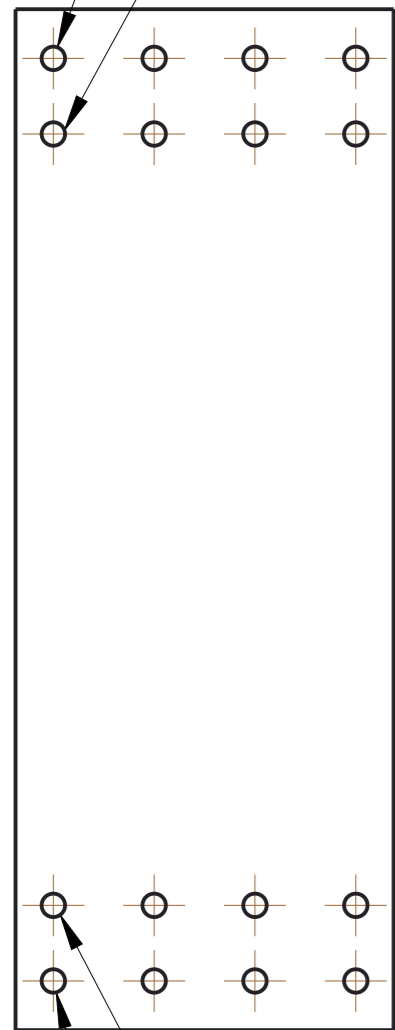
9	MOTOR LUG INTERFACE	SS304	1
8	SKF FAG OR EQUIVALENT BEARING		6
7	LOWER SHAFT	SS304	1
6	UPPER SHAFT	SS304	1
5	FEMALE LOWER LUG	SS304	1
4	FEMALE UPPER LUG	SS304	1
3	MALE LUG	SS304	2
2	JOINT n FEMALE LUG FLANGE	AL6061-T6	1
1	JOINT n MALE LUG FLANGE	AL6061-T6	1
SR. NO.	DESCRIPTION	MATERIAL	QTY

This drawing is our property. it can't be produced or communicated without our written agreement.		INSTITUTE FOR PLASMA RESEARCH	
DRAWN BY	DATE	JOINT n ASSEMBLY	
CHECKED BY	DATE	A3 SIZE	IPR/RHRTD/IVIS/DRG-03
		MATERIAL :	WEIGHT : 5.52 kg
			SHEET

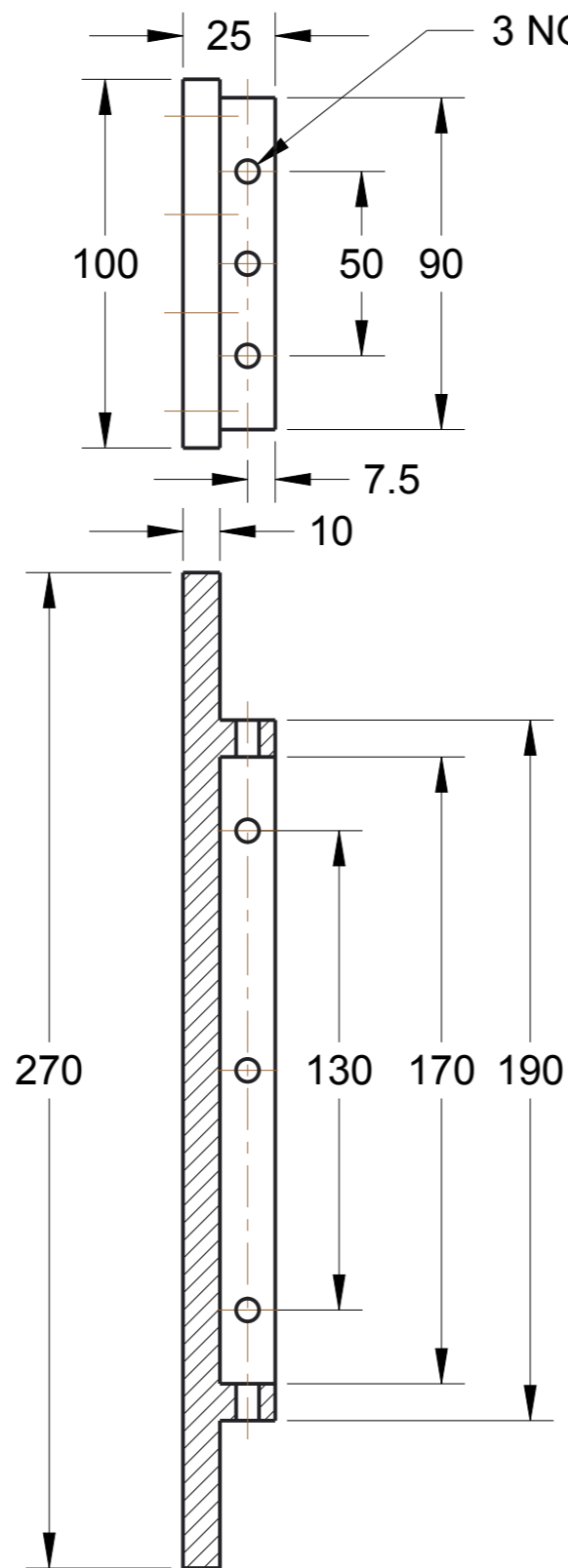


This drawing is our property. it can't be produced or communicated without our written agreement.		INSTITUTE FOR PLASMA RESEARCH	
DRAWN BY	DATE	JOINT 1 FEMALE LUG FLANGE	
CHECKED BY	DATE	A3 SIZE	IPR/RHRTD/IVIS/DRG- 04
		MATERIAL : AL6061-T6	WEIGHT : 0.92 kg
			SHEET

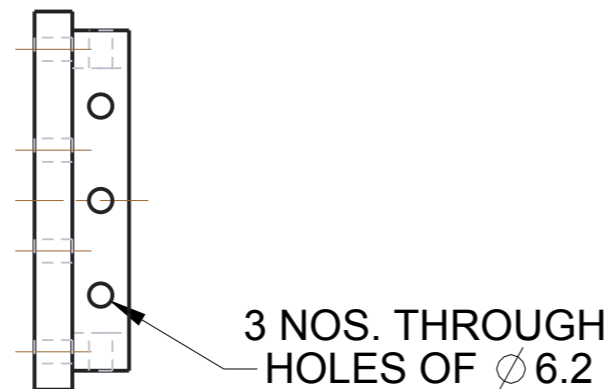
4 NOS. THROUGH HOLES OF $\phi 6.2$
 4 NOS. TAPPED HOLES SUITABLE FOR M6



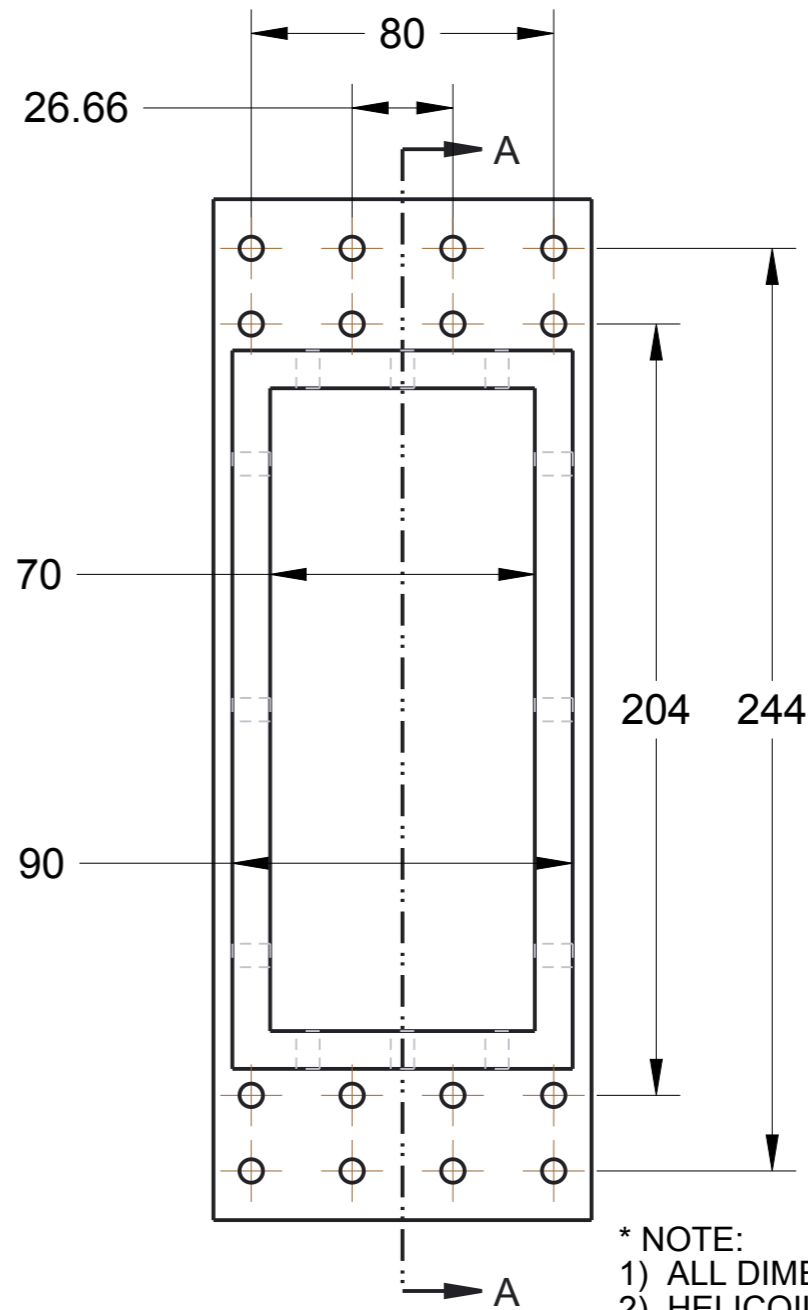
4 NOS. TAPPED HOLES SUITABLE FOR M6
 4 NOS. THROUGH HOLES OF $\phi 6.2$



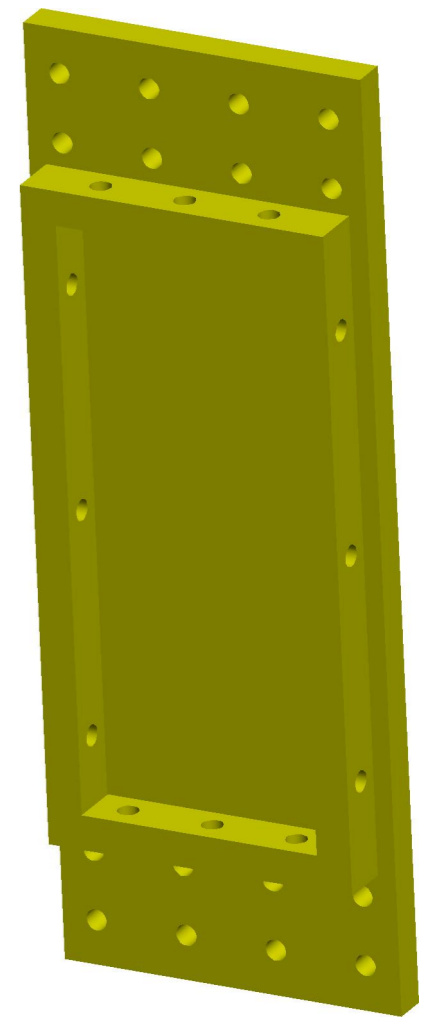
SECTION A-A



3 NOS. TAPPED HOLES SUITABLE FOR M6

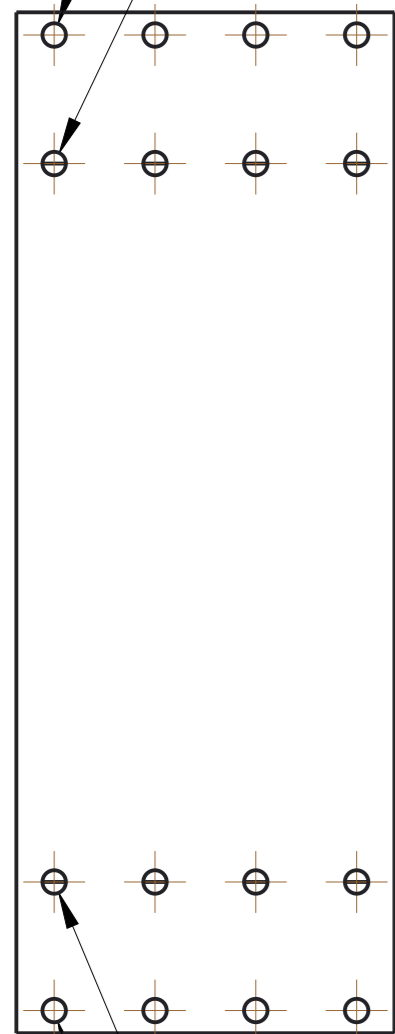


* NOTE:
 1) ALL DIMENSIONS ARE IN mm
 2) HELICOILS SHALL BE INSERTED IN AL TAPPING



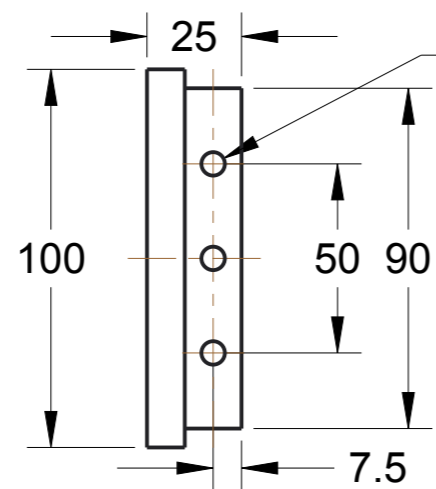
This drawing is our property. it can't be produced or communicated without our written agreement.		INSTITUTE FOR PLASMA RESEARCH	
DRAWN BY	DATE	JOINT 1 MALE LUG FLANGE	
CHECKED BY	DATE	A3 SIZE	IPR/RHRTD/IVIS/DRG- 05
		MATERIAL : AL6061-T6	WEIGHT : 0.92 kg
			SHEET

4 NOS. THROUGH HOLES OF $\phi 6.2$
4 NOS. TAPPED HOLES SUITABLE FOR M6

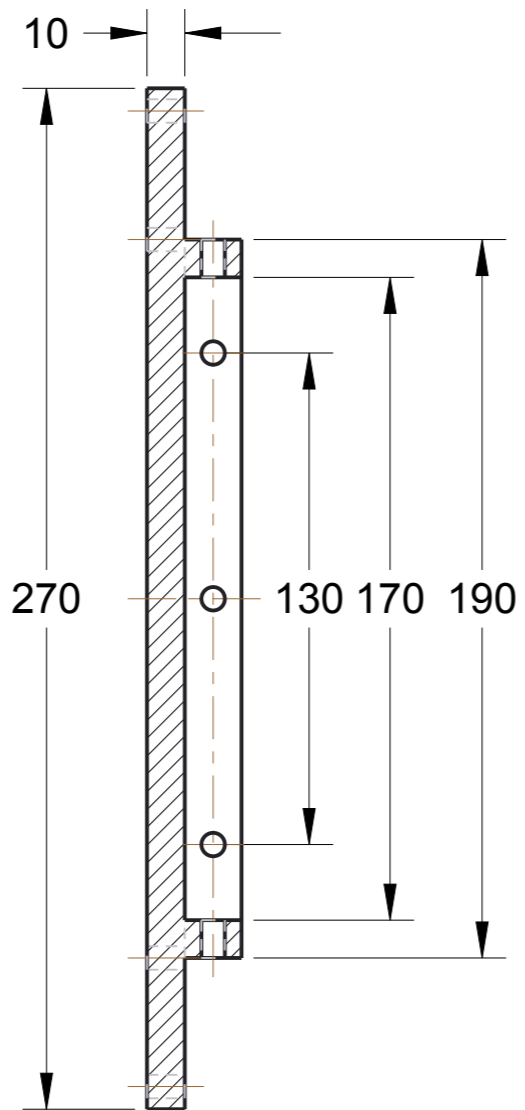


4 NOS. TAPPED HOLES SUITABLE FOR M6

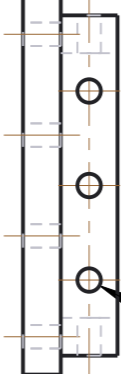
4 NOS. THROUGH HOLES OF $\phi 6.2$



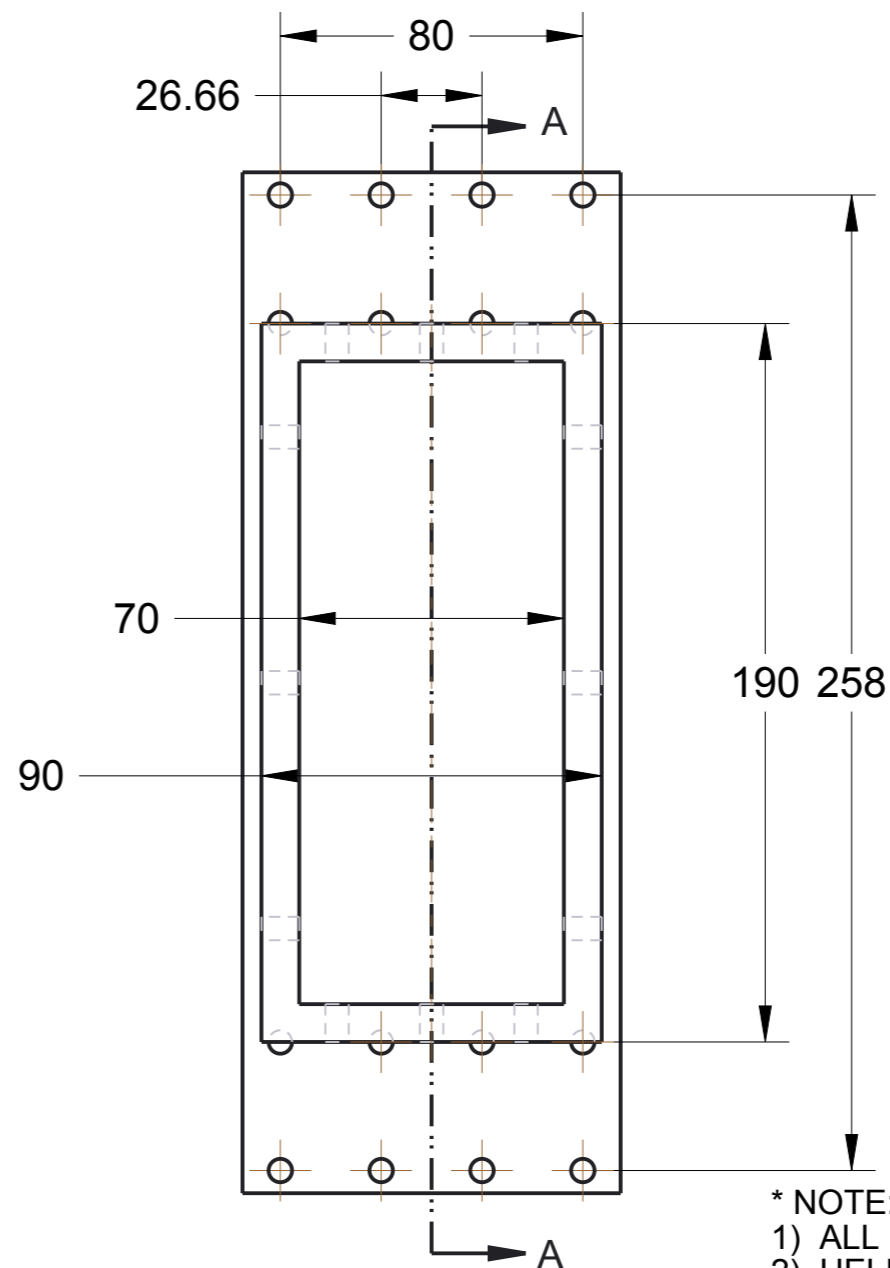
3 NOS. TAPPED HOLES SUITABLE FOR M6



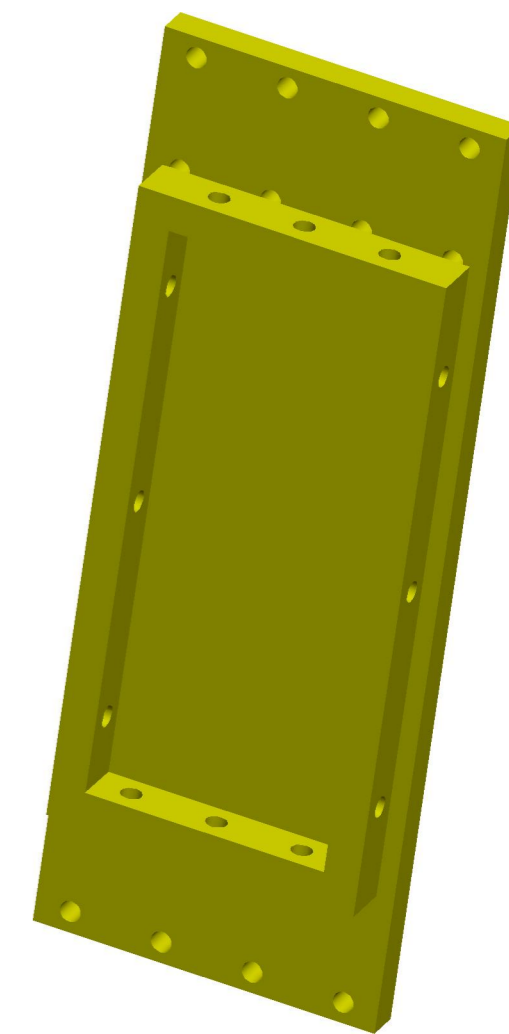
SECTION A-A




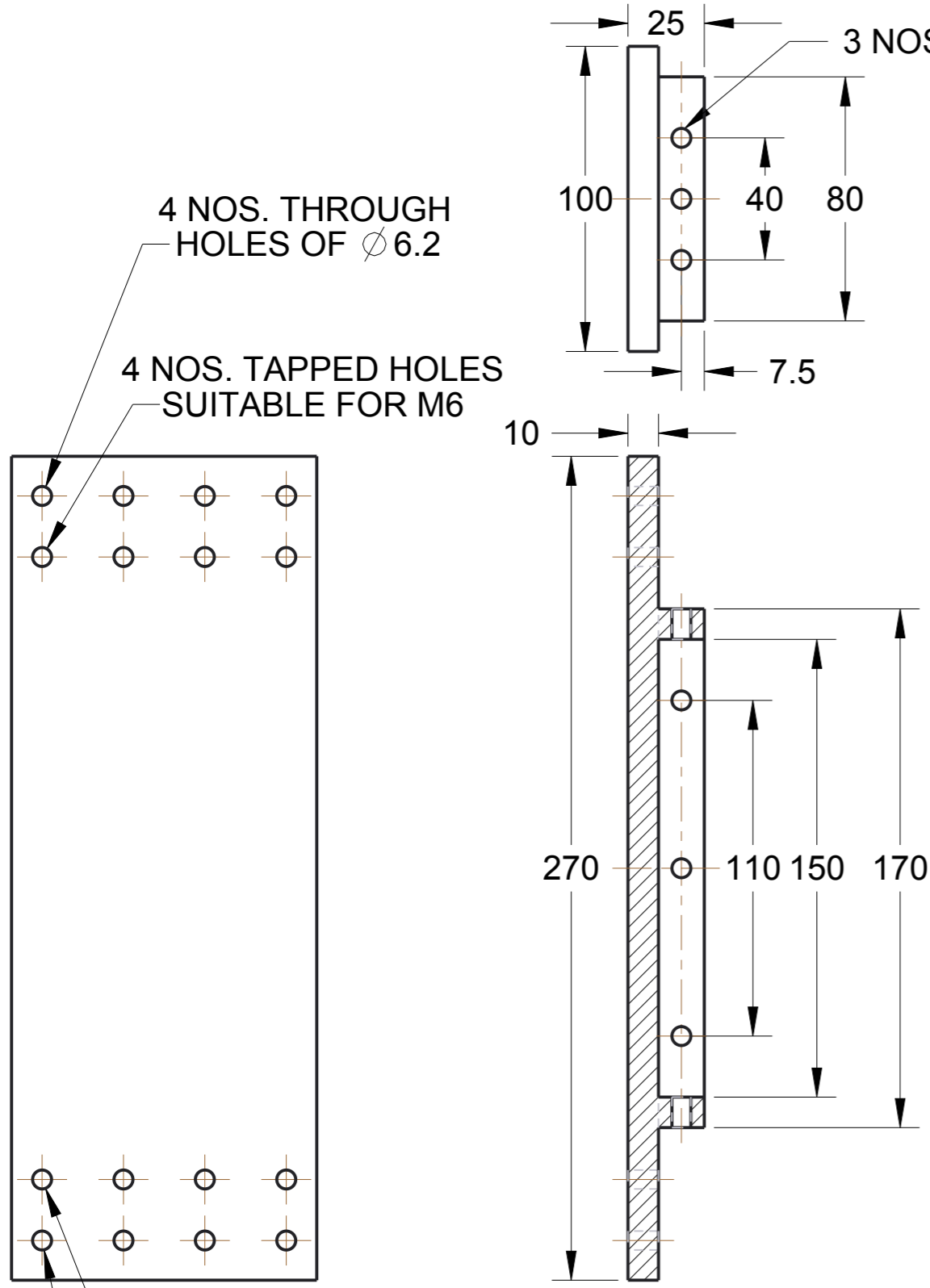
3 NOS. THROUGH HOLES OF $\phi 6.2$



* NOTE:
1) ALL DIMENSIONS ARE IN mm
2) HELICOILS SHALL BE INSERTED IN AL TAPPING



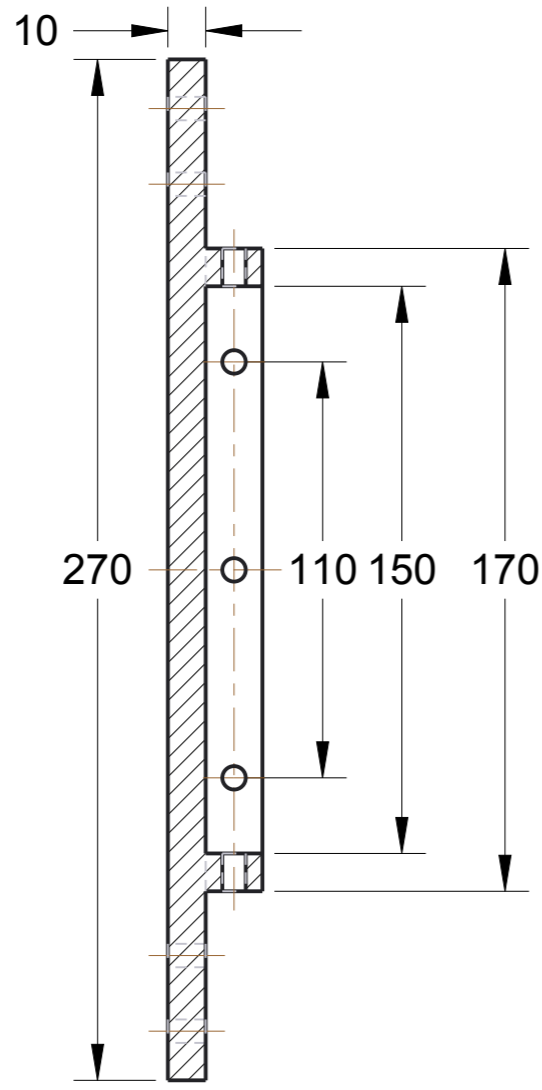
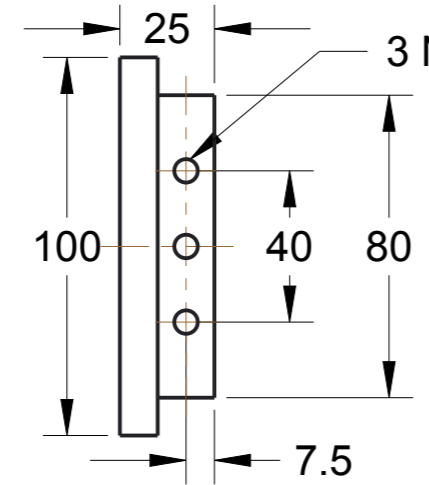
This drawing is our property. it can't be produced or communicated without our written agreement.		INSTITUTE FOR PLASMA RESEARCH	
DRAWN BY	DATE	JOINT 2 FEMALE LUG FLANGE	
CHECKED BY	DATE	A3 SIZE	IPR/RHRTD/IVIS/DRG- 06
		MATERIAL : AL6061-T6	WEIGHT : 0.92 kg
			SHEET



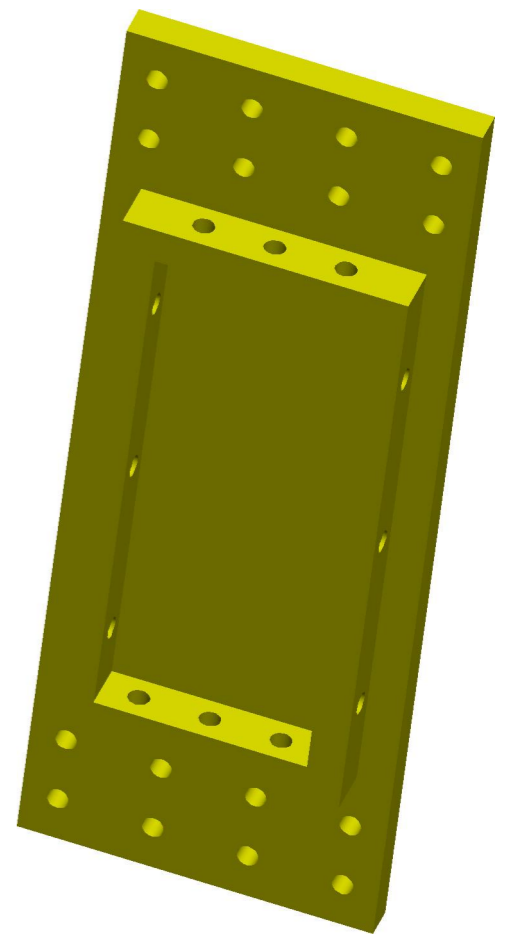
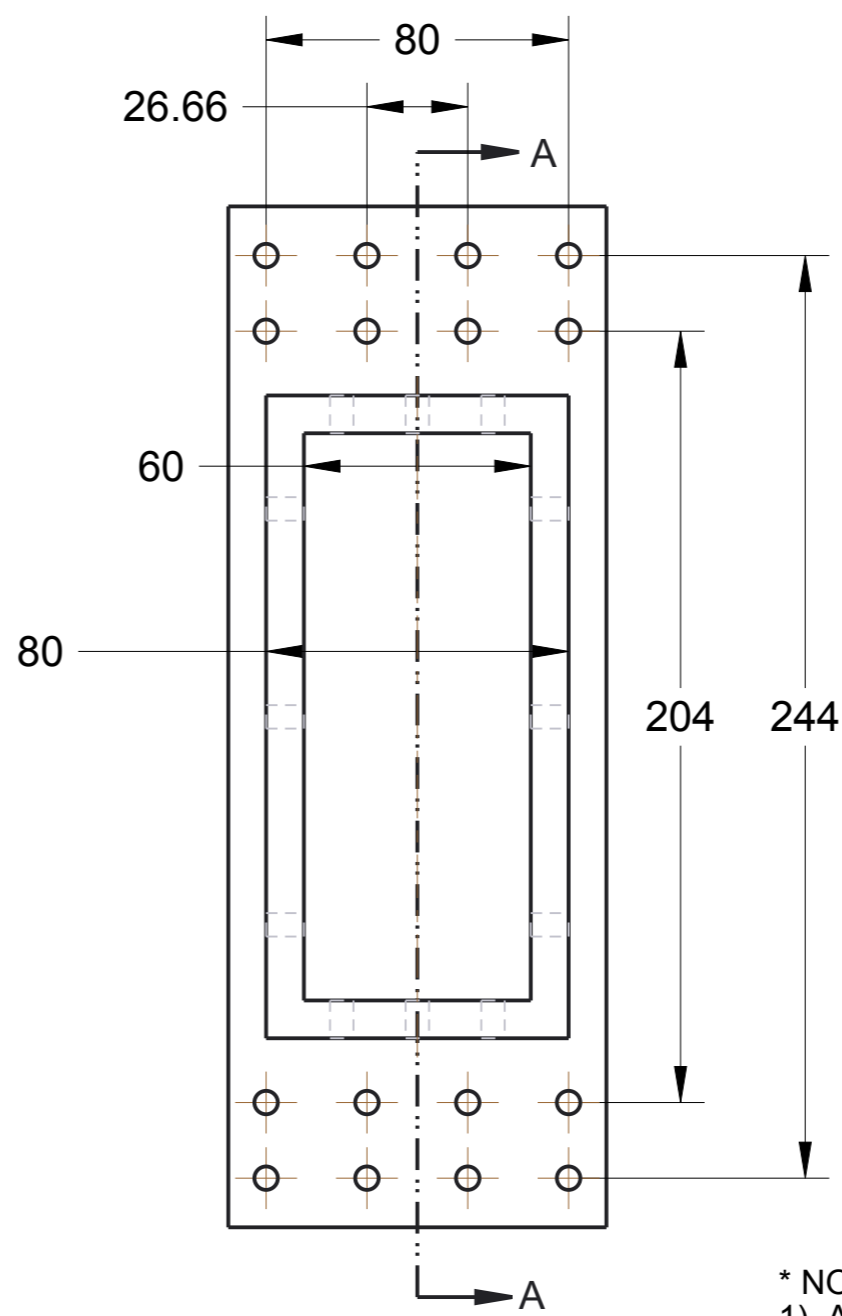
4 NOS. THROUGH HOLES OF $\phi 6.2$

4 NOS. TAPPED HOLES SUITABLE FOR M6

3 NOS. TAPPED HOLES SUITABLE FOR M6



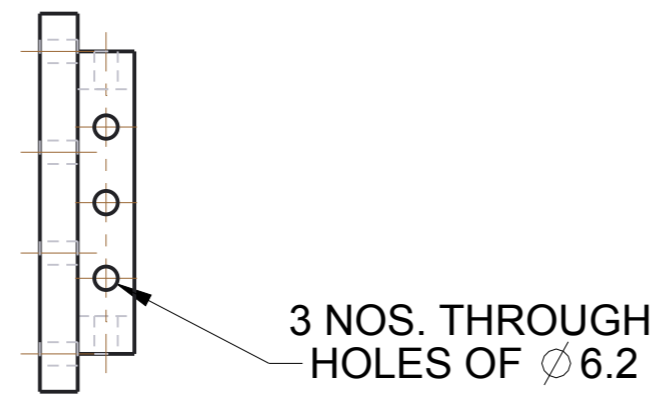
SECTION A-A



* NOTE:
 1) ALL DIMENSIONS ARE IN mm
 2) HELICOILS SHALL BE INSERTED IN AL TAPPING

4 NOS. TAPPED HOLES SUITABLE FOR M6

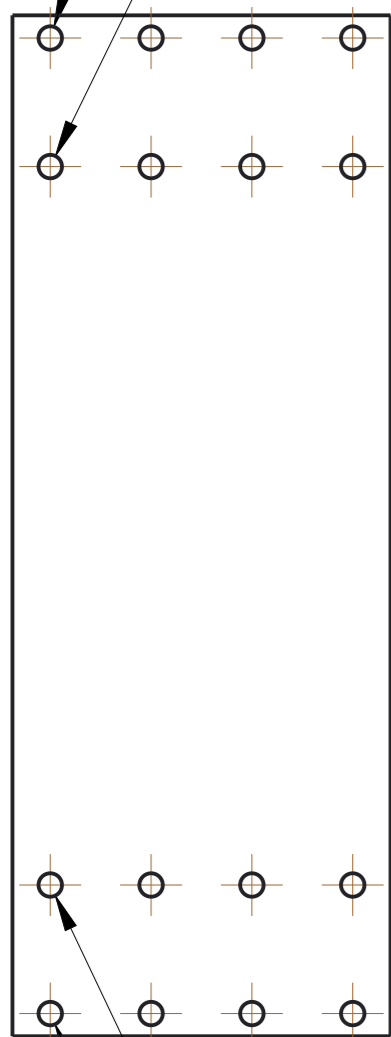
4 NOS. THROUGH HOLES OF $\phi 6.2$



3 NOS. THROUGH HOLES OF $\phi 6.2$

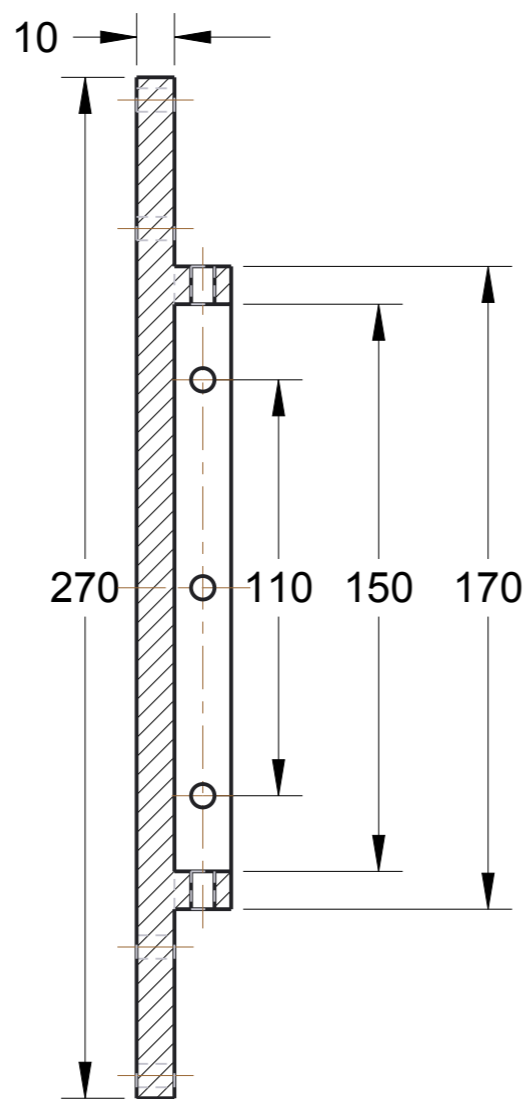
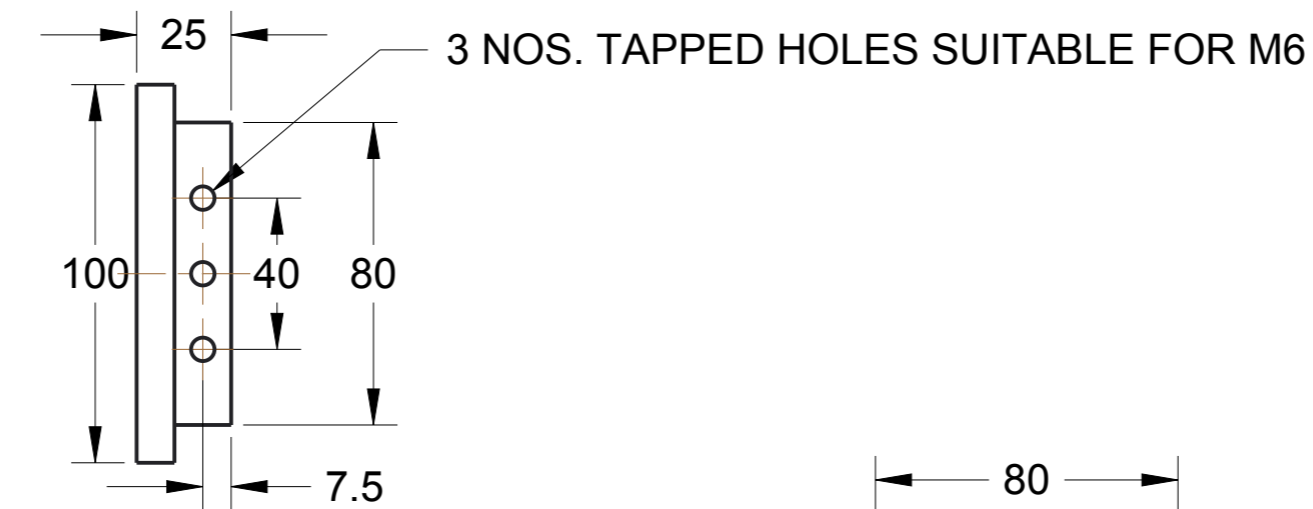
This drawing is our property. it can't be produced or communicated without our written agreement.		INSTITUTE FOR PLASMA RESEARCH	
DRAWN BY	DATE	JOINT 2 MALE LUG FLANGE	
CHECKED BY	DATE	A3 SIZE	IPR/RHRTD/IVIS/DRG- 07
		MATERIAL : AL6061-T6	WEIGHT : 0.89 kg
			SHEET

4 NOS. THROUGH HOLES OF $\phi 6.2$
 4 NOS. TAPPED HOLES SUITABLE FOR M6

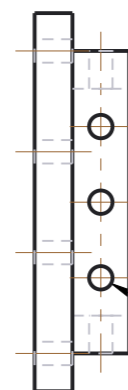


4 NOS. TAPPED HOLES SUITABLE FOR M6

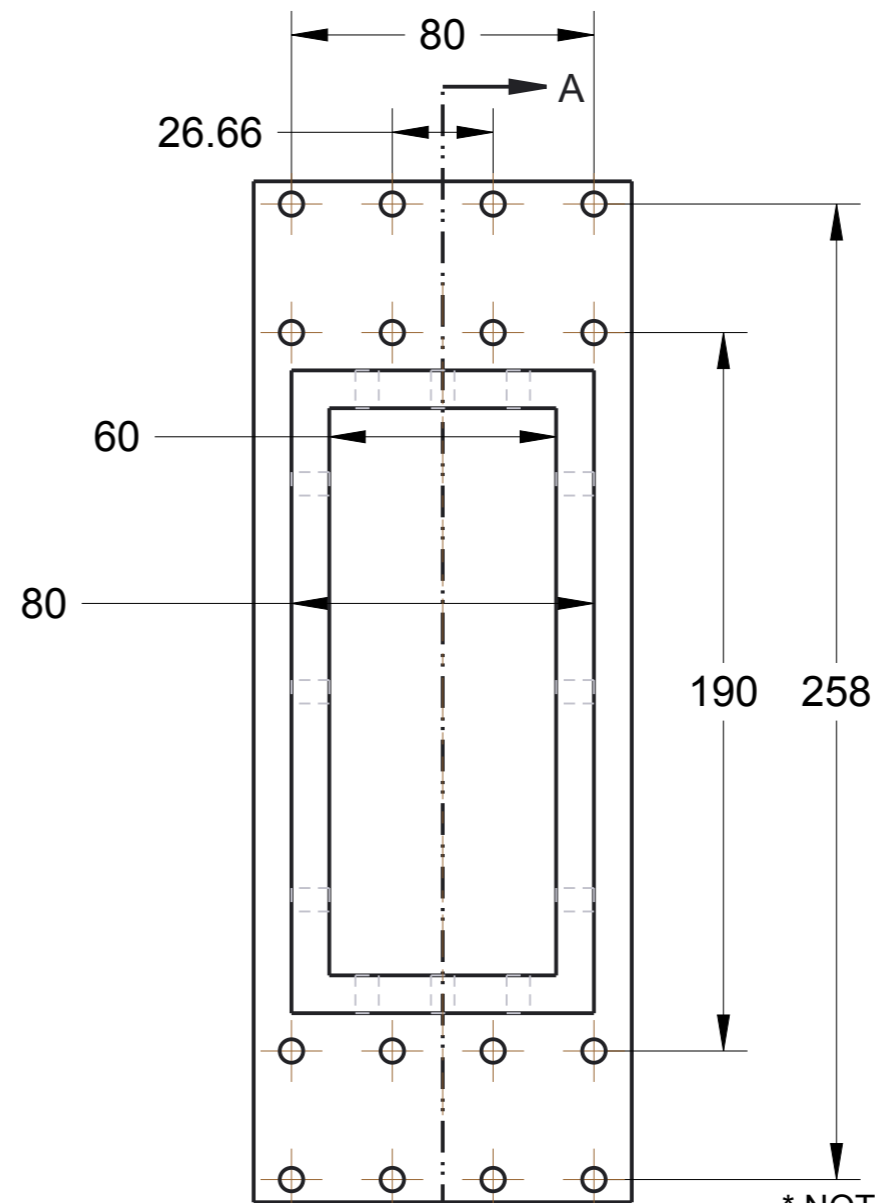
4 NOS. THROUGH HOLES OF $\phi 6.2$



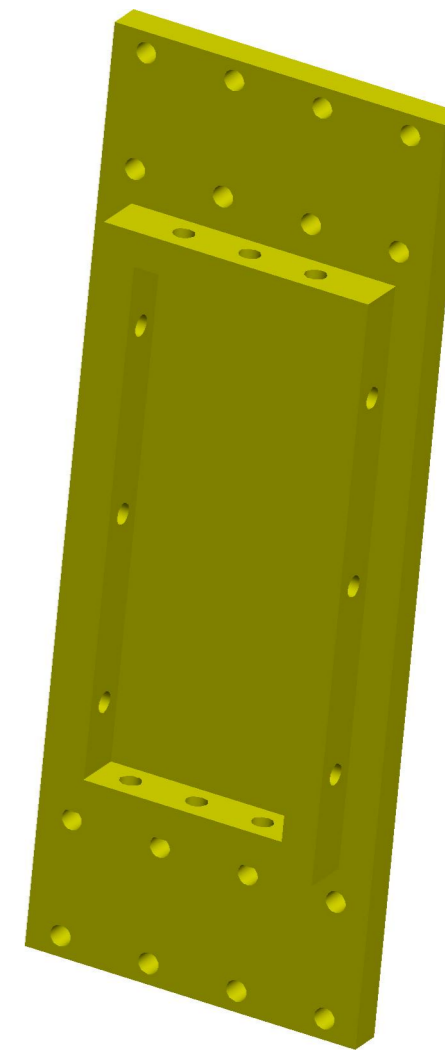
SECTION A-A



3 NOS. THROUGH HOLES OF $\phi 6.2$

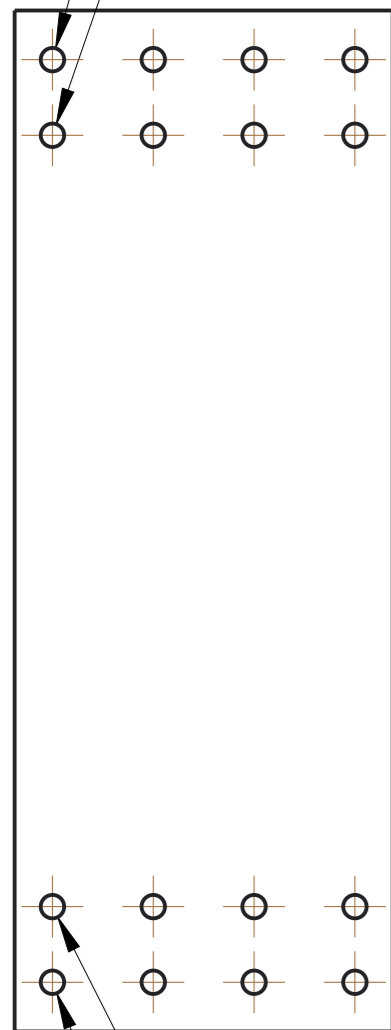


* NOTE:
 1) ALL DIMENSIONS ARE IN mm
 2) HELICOILS SHALL BE INSERTED IN AL TAPPING



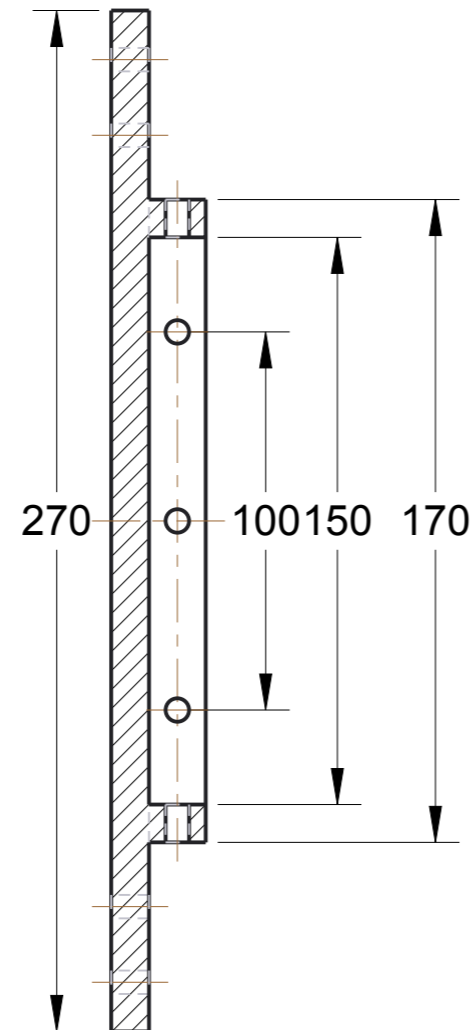
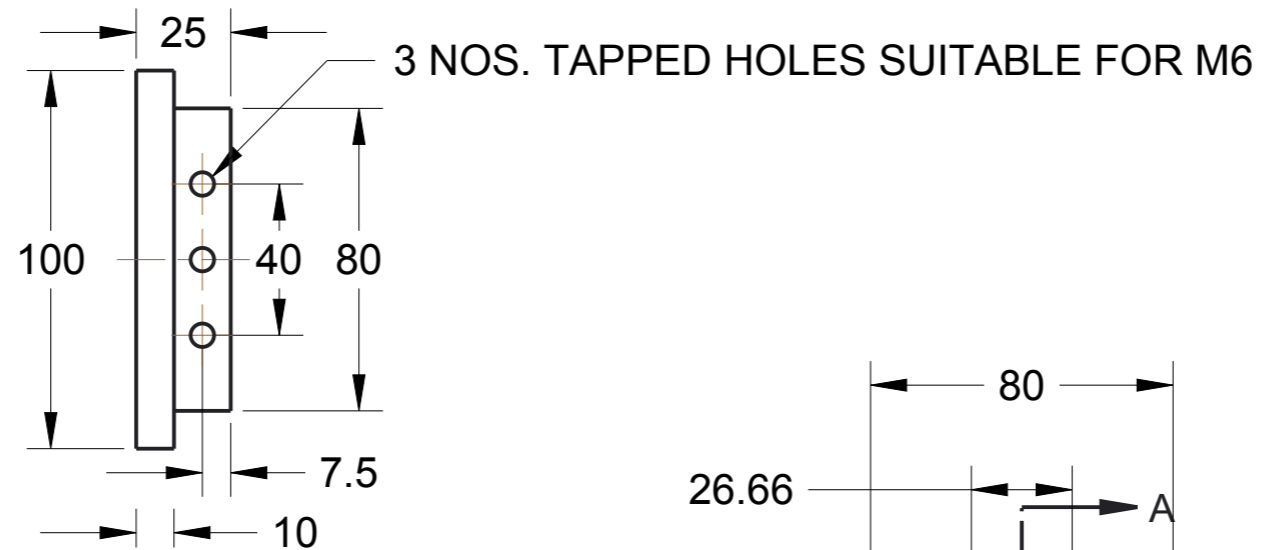
This drawing is our property. it can't be produced or communicated without our written agreement.		INSTITUTE FOR PLASMA RESEARCH	
DRAWN BY	DATE	JOINT 3 FEMALE LUG FLANGE	
CHECKED BY	DATE	A3 SIZE	IPR/RHRTD/IVIS/DRG- 08
		MATERIAL : AL6061-T6	WEIGHT : 0.89 kg
			SHEET

4 NOS. THROUGH HOLES OF $\phi 6.2$
 4 NOS. TAPPED HOLES SUITABLE FOR M6

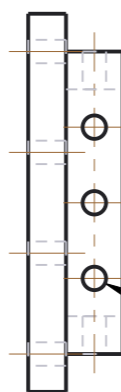


4 NOS. TAPPED HOLES SUITABLE FOR M6

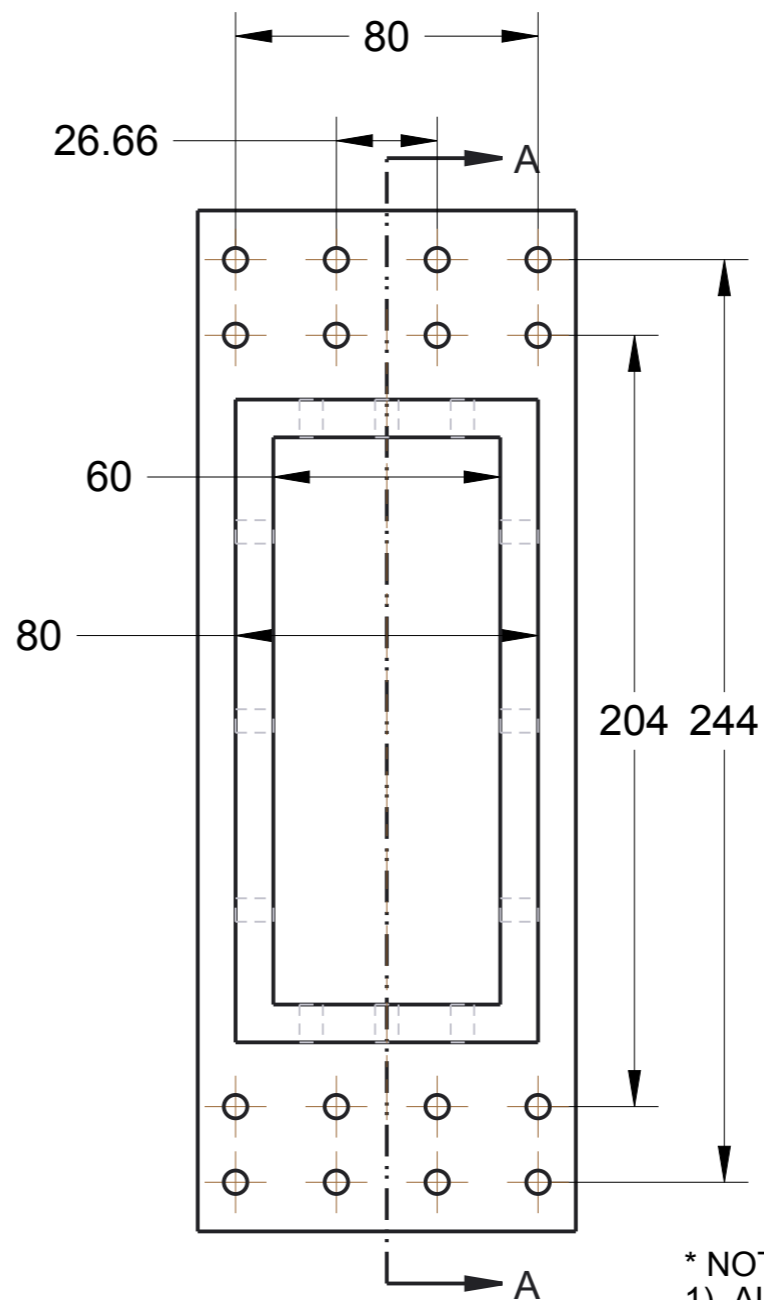
4 NOS. THROUGH HOLES OF $\phi 6.2$



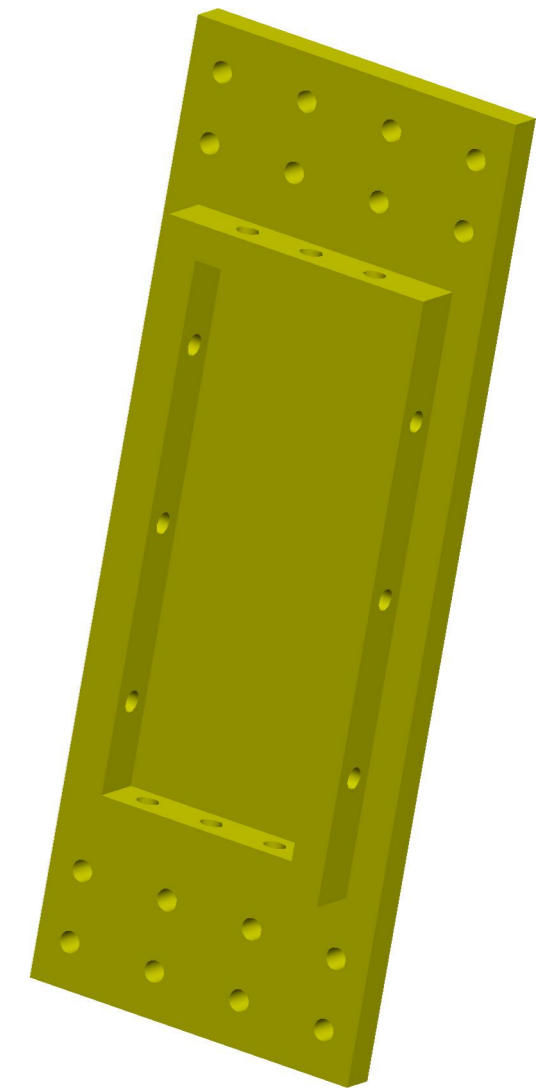
SECTION A-A




3 NOS. THROUGH HOLES OF $\phi 6.2$

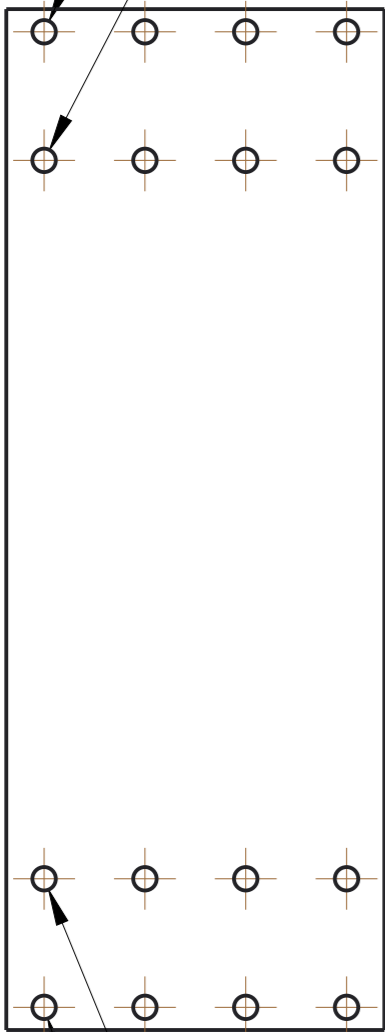


* NOTE:
 1) ALL DIMENSIONS ARE IN mm
 2) HELICOILS SHALL BE INSERTED IN AL TAPPING



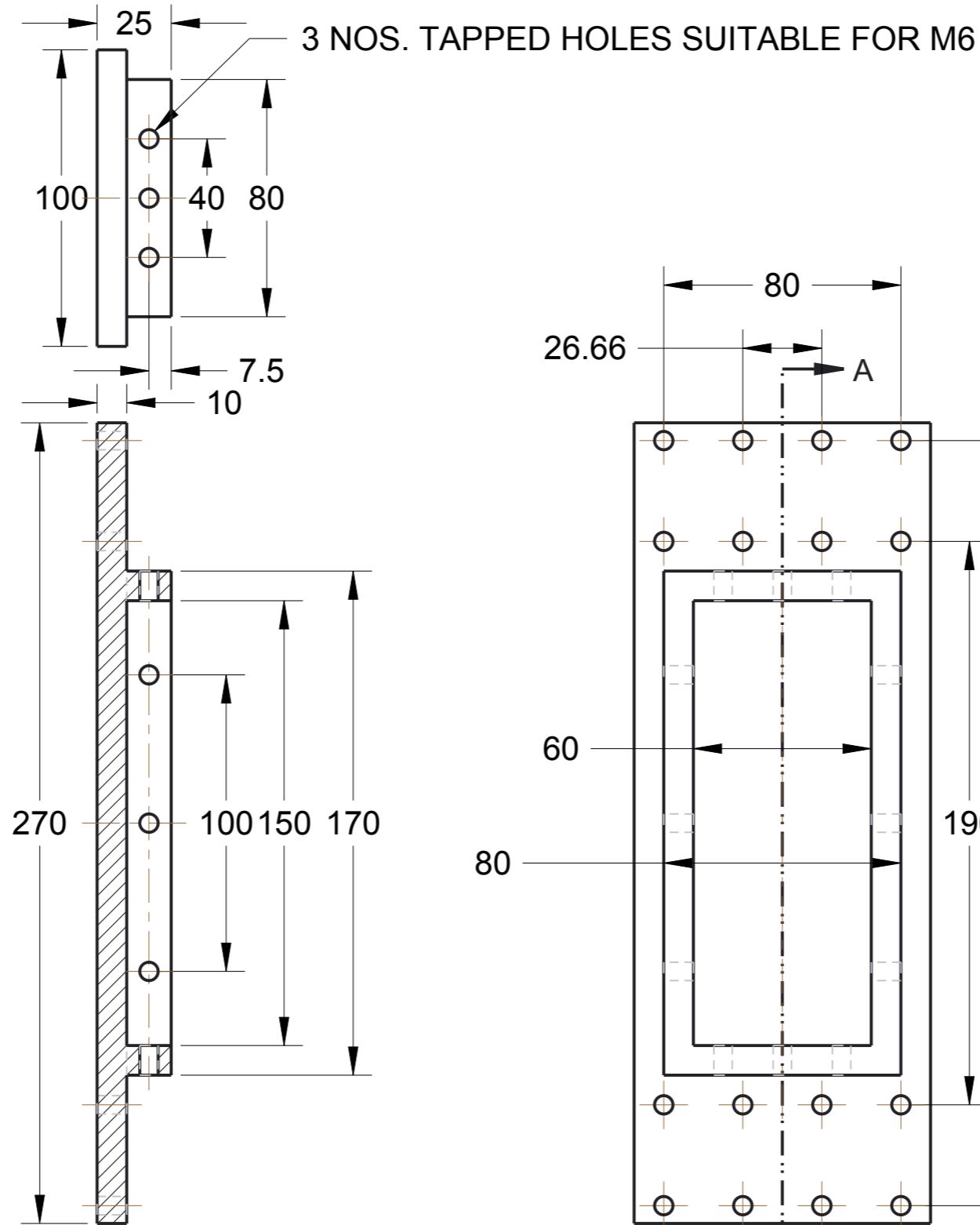
This drawing is our property. it can't be produced or communicated without our written agreement.		INSTITUTE FOR PLASMA RESEARCH	
DRAWN BY	DATE	JOINT 3 MALE LUG FLANGE	
CHECKED BY	DATE	A3 SIZE	IPR/RHRTD/IVIS/DRG- 09
		MATERIAL : AL6061-T6	WEIGHT : 0.89 kg
			SHEET

4 NOS. THROUGH HOLES OF $\phi 6.2$
 4 NOS. TAPPED HOLES SUITABLE FOR M6

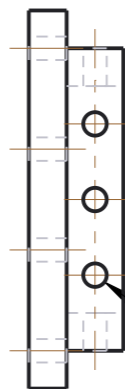


4 NOS. TAPPED HOLES SUITABLE FOR M6

4 NOS. THROUGH HOLES OF $\phi 6.2$

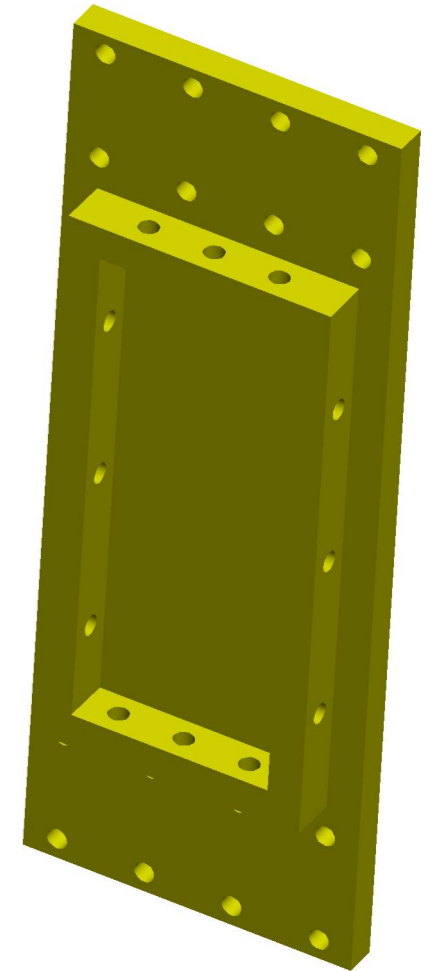


SECTION A-A



3 NOS. THROUGH HOLES OF $\phi 6.2$

* NOTE:
 1) ALL DIMENSIONS ARE IN mm
 2) HELICOILS SHALL BE INSERTED IN AL TAPPING



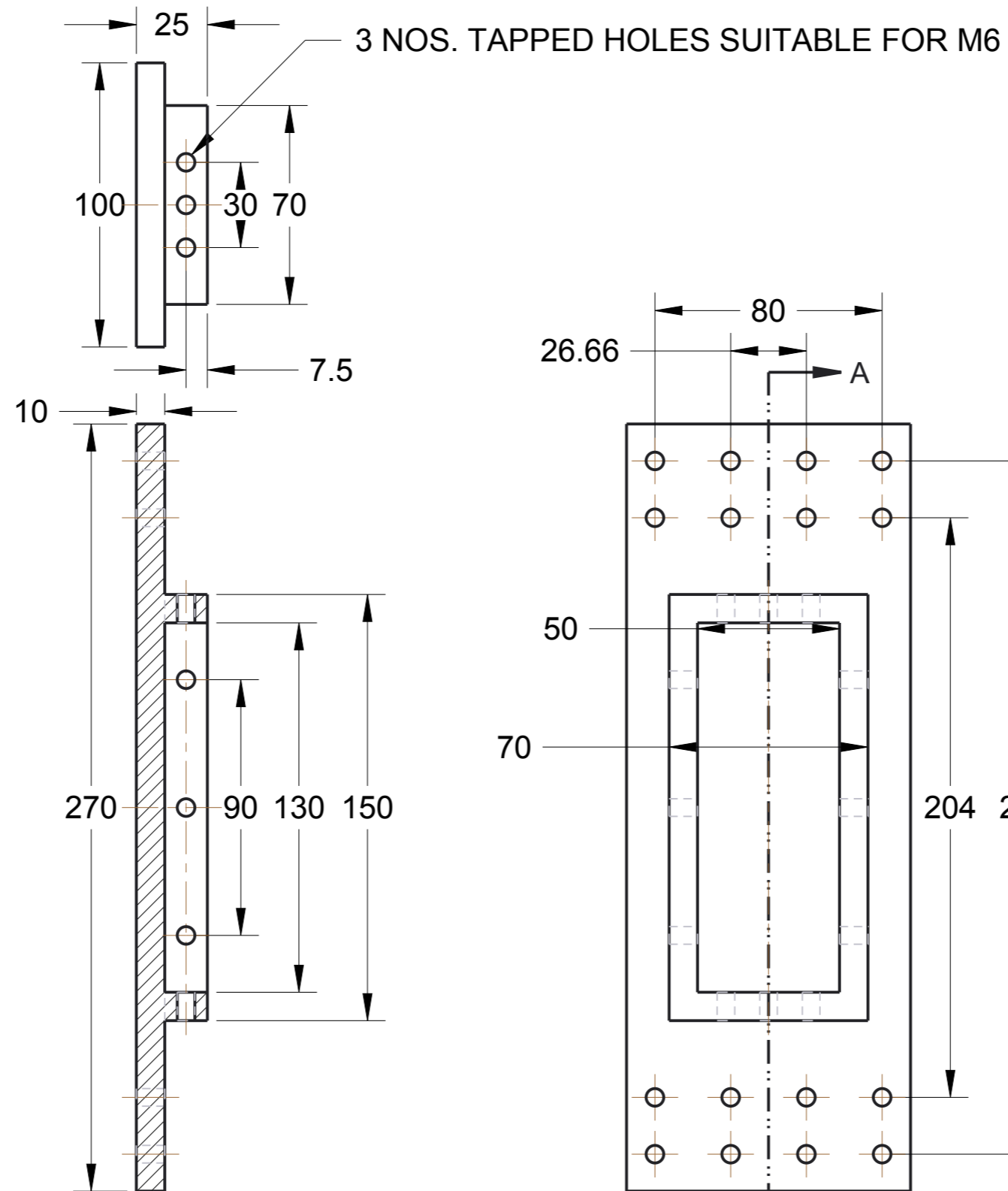
This drawing is our property. it can't be produced or communicated without our written agreement.		INSTITUTE FOR PLASMA RESEARCH	
DRAWN BY	DATE	JOINT 4 FEMALE LUG FLANGE	
CHECKED BY	DATE	A3 SIZE	IPR/RHRTD/IVIS/DRG- 10
		MATERIAL : AL6061-T6	WEIGHT : 0.89 kg
			SHEET

4 NOS. THROUGH HOLES OF $\phi 6.2$
 4 NOS. TAPPED HOLES SUITABLE FOR M6

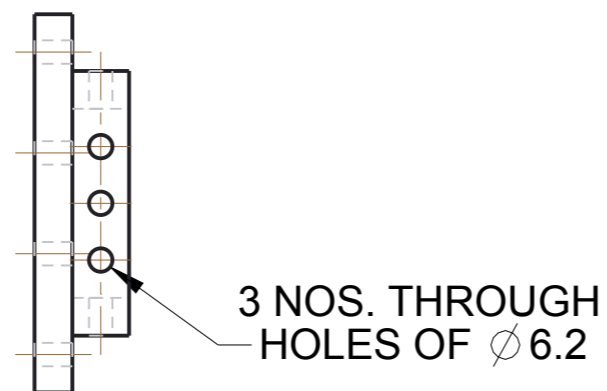


4 NOS. TAPPED HOLES SUITABLE FOR M6

4 NOS. THROUGH HOLES OF $\phi 6.2$

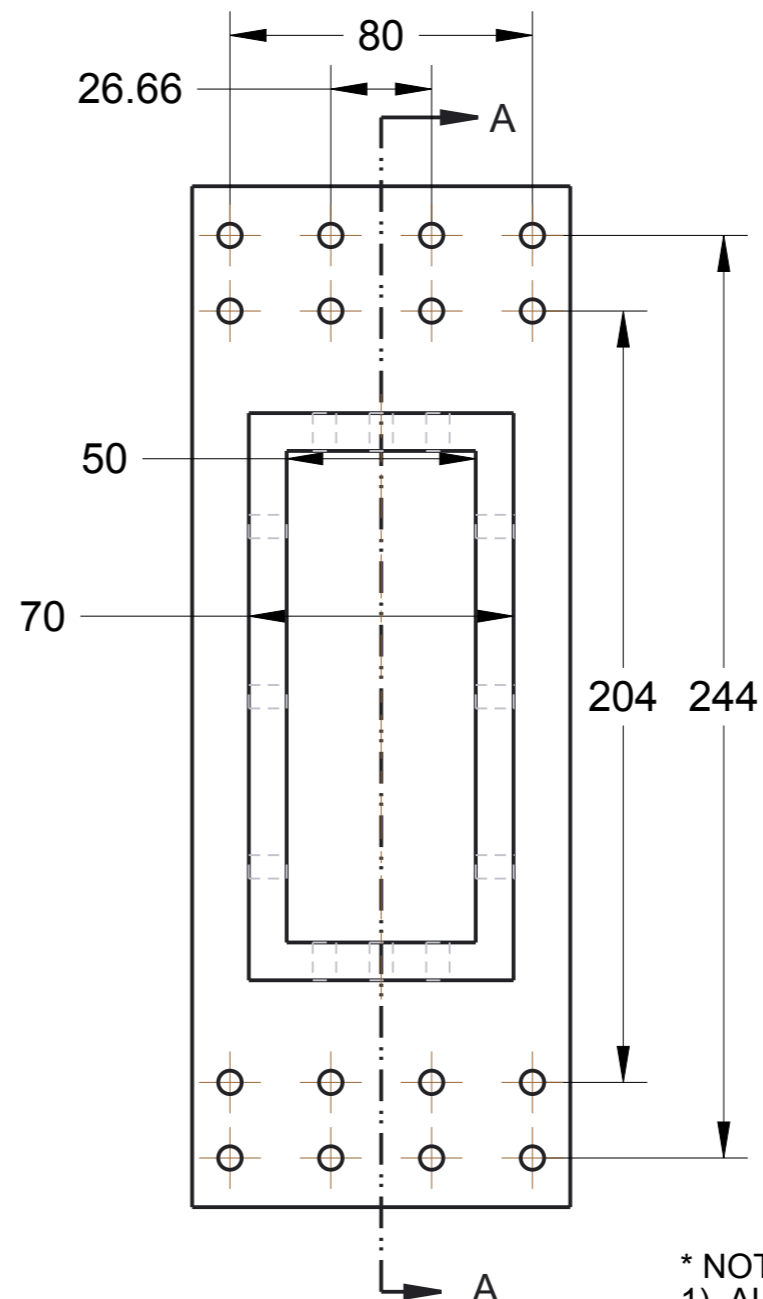


SECTION A-A

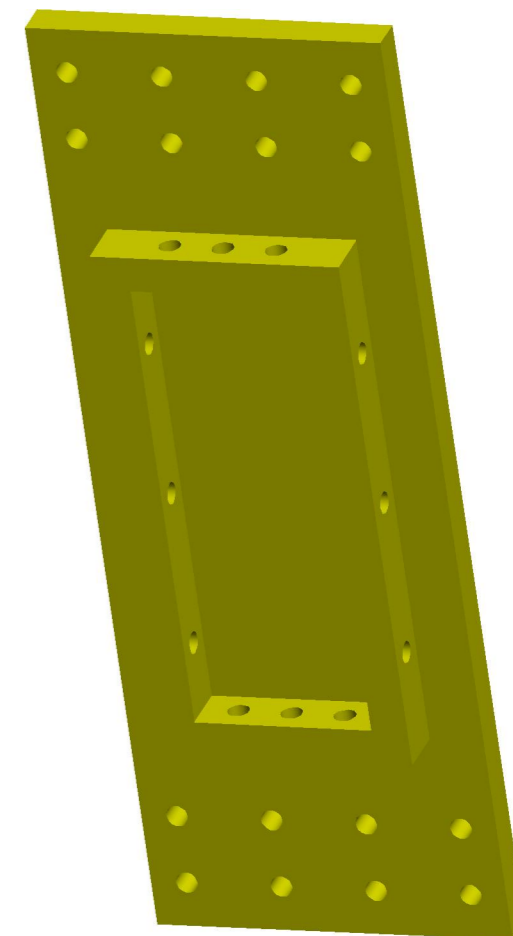


3 NOS. THROUGH HOLES OF $\phi 6.2$

3 NOS. TAPPED HOLES SUITABLE FOR M6

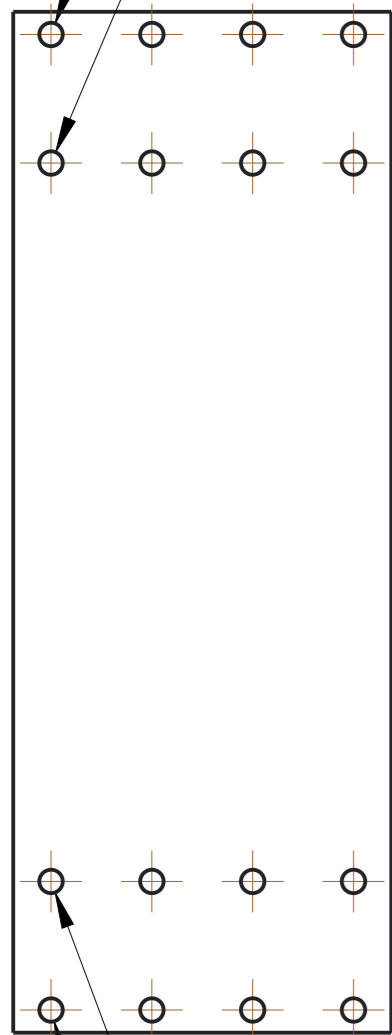


* NOTE:
 1) ALL DIMENSIONS ARE IN mm
 2) HELICOILS SHALL BE INSERTED IN AL TAPPING



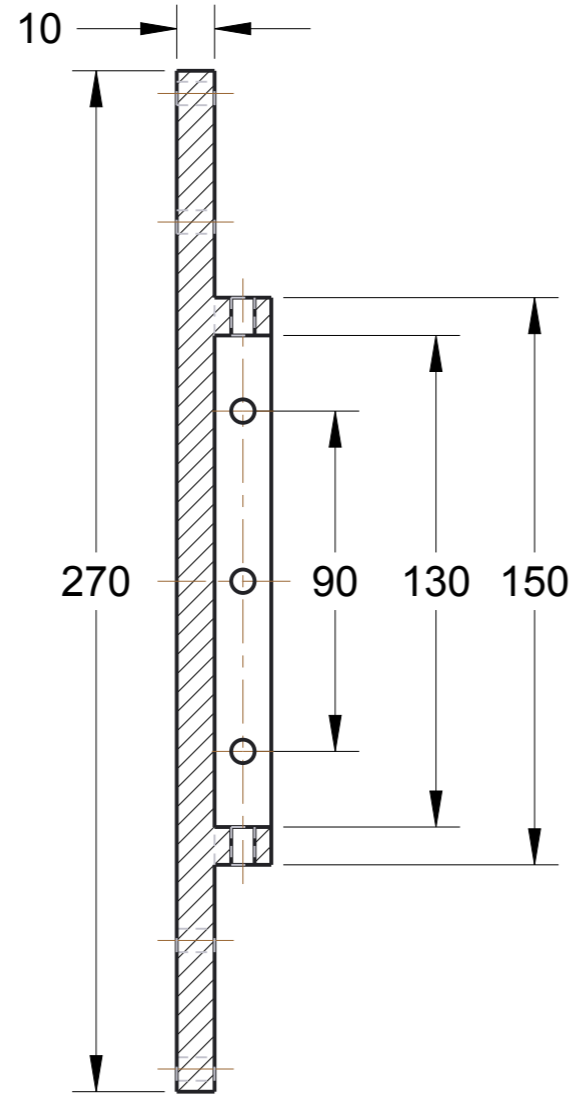
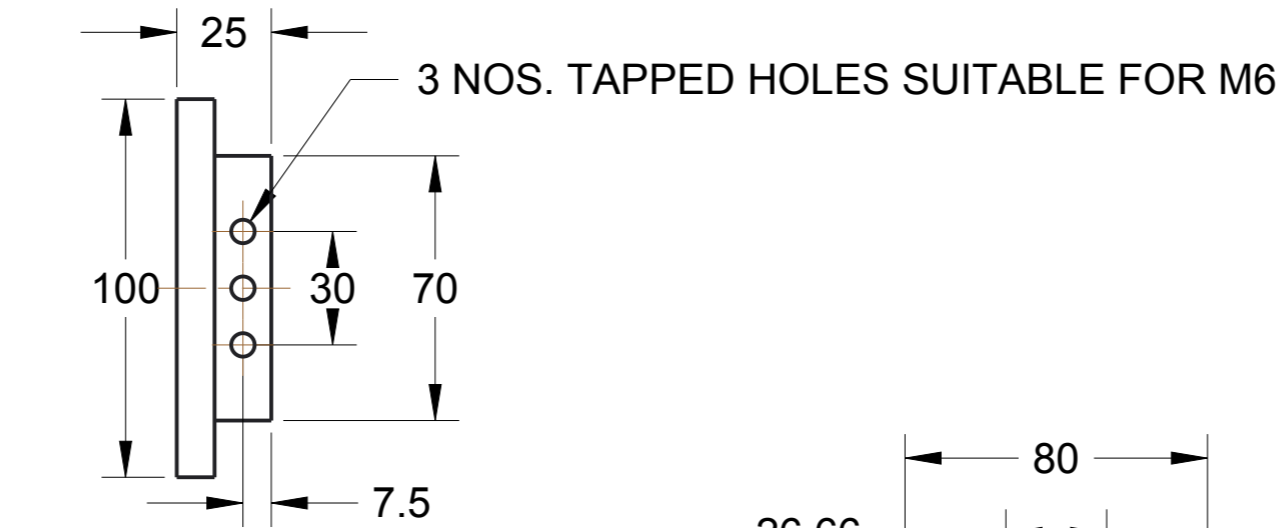
This drawing is our property. it can't be produced or communicated without our written agreement.		INSTITUTE FOR PLASMA RESEARCH	
DRAWN BY	DATE	JOINT 4 MALE LUG FLANGE	
CHECKED BY	DATE	A3 SIZE	IPR/RHRTD/IVIS/DRG- 11
		MATERIAL : AL6061-T6	WEIGHT : 087 kg
			SHEET

4 NOS. THROUGH HOLES OF $\phi 6.2$
 4 NOS. TAPPED HOLES SUITABLE FOR M6

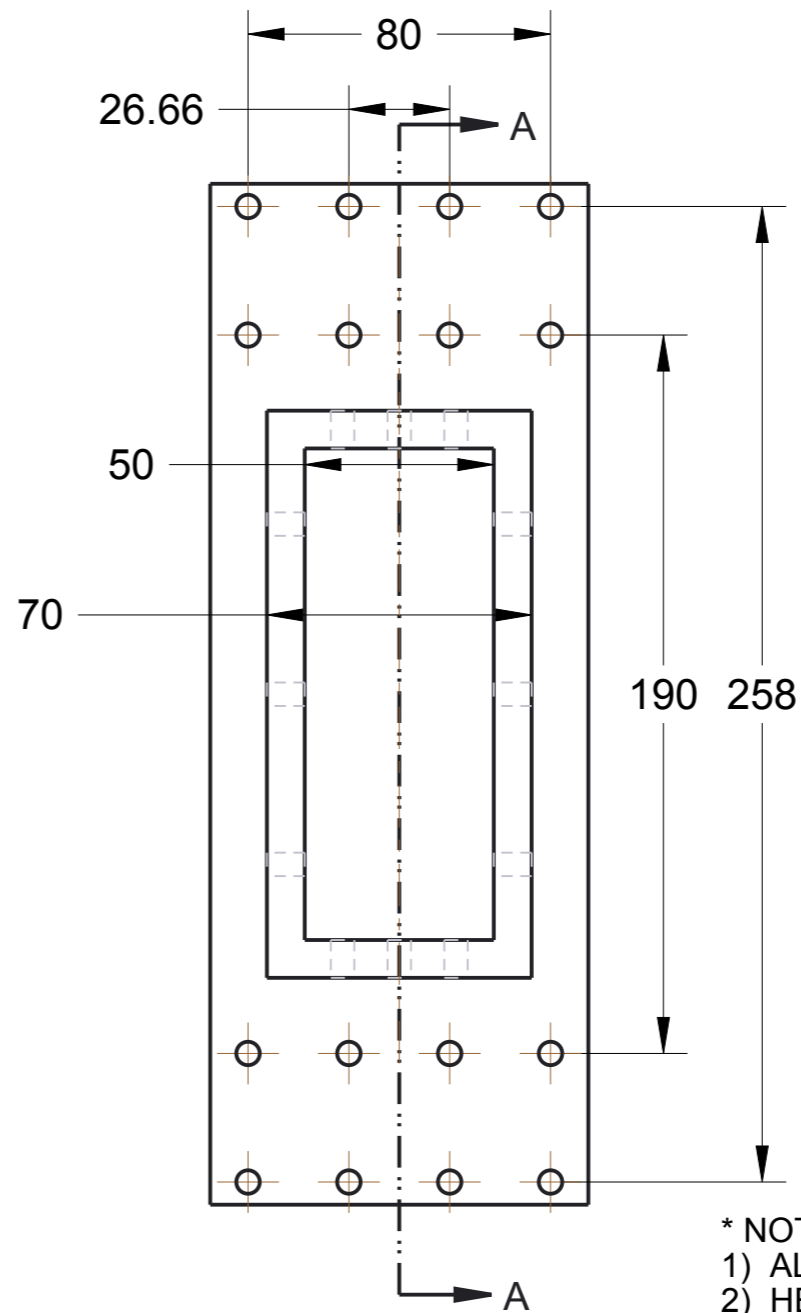
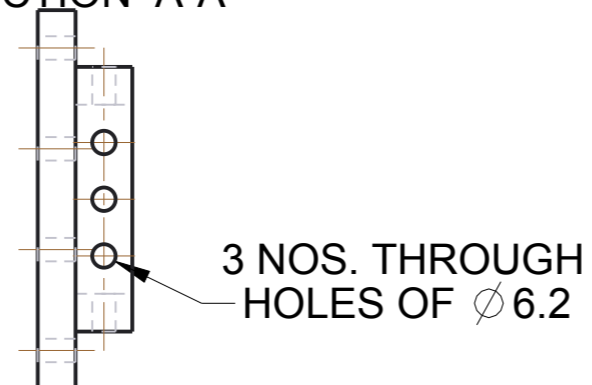


4 NOS. TAPPED HOLES SUITABLE FOR M6

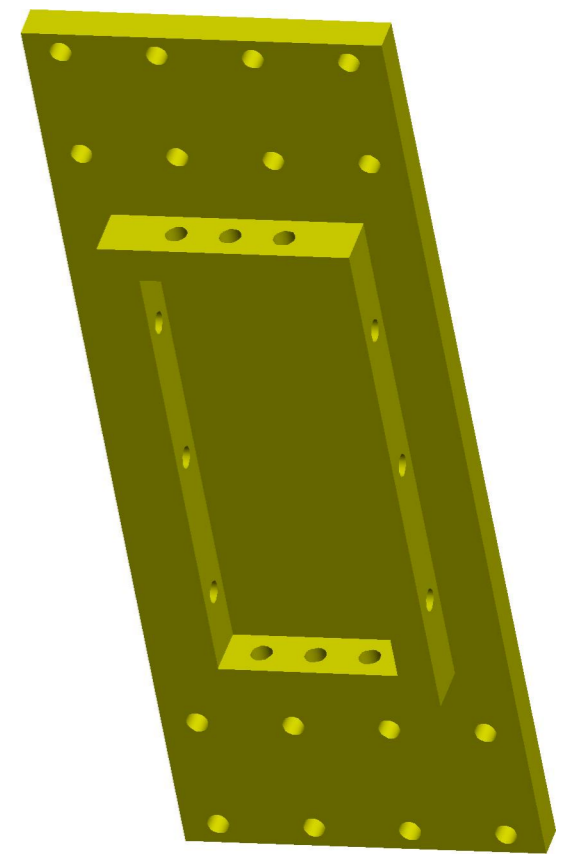
4 NOS. THROUGH HOLES OF $\phi 6.2$

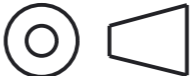


SECTION A-A

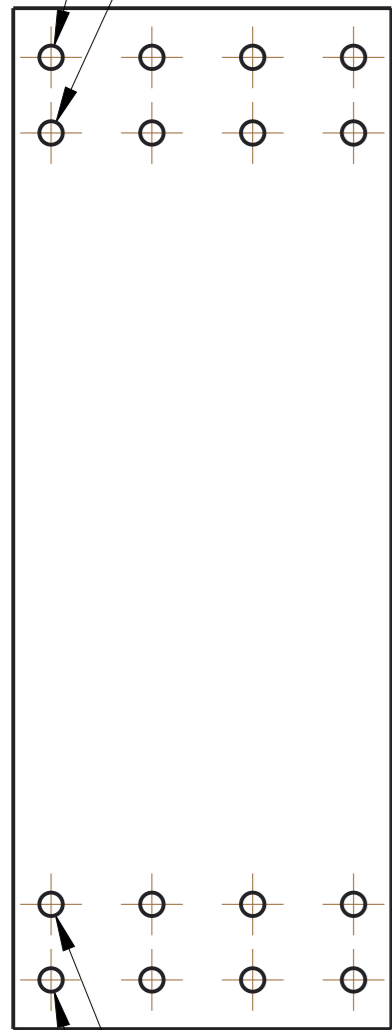


* NOTE:
 1) ALL DIMENSIONS ARE IN mm
 2) HELICOILS SHALL BE INSERTED IN AL TAPPING



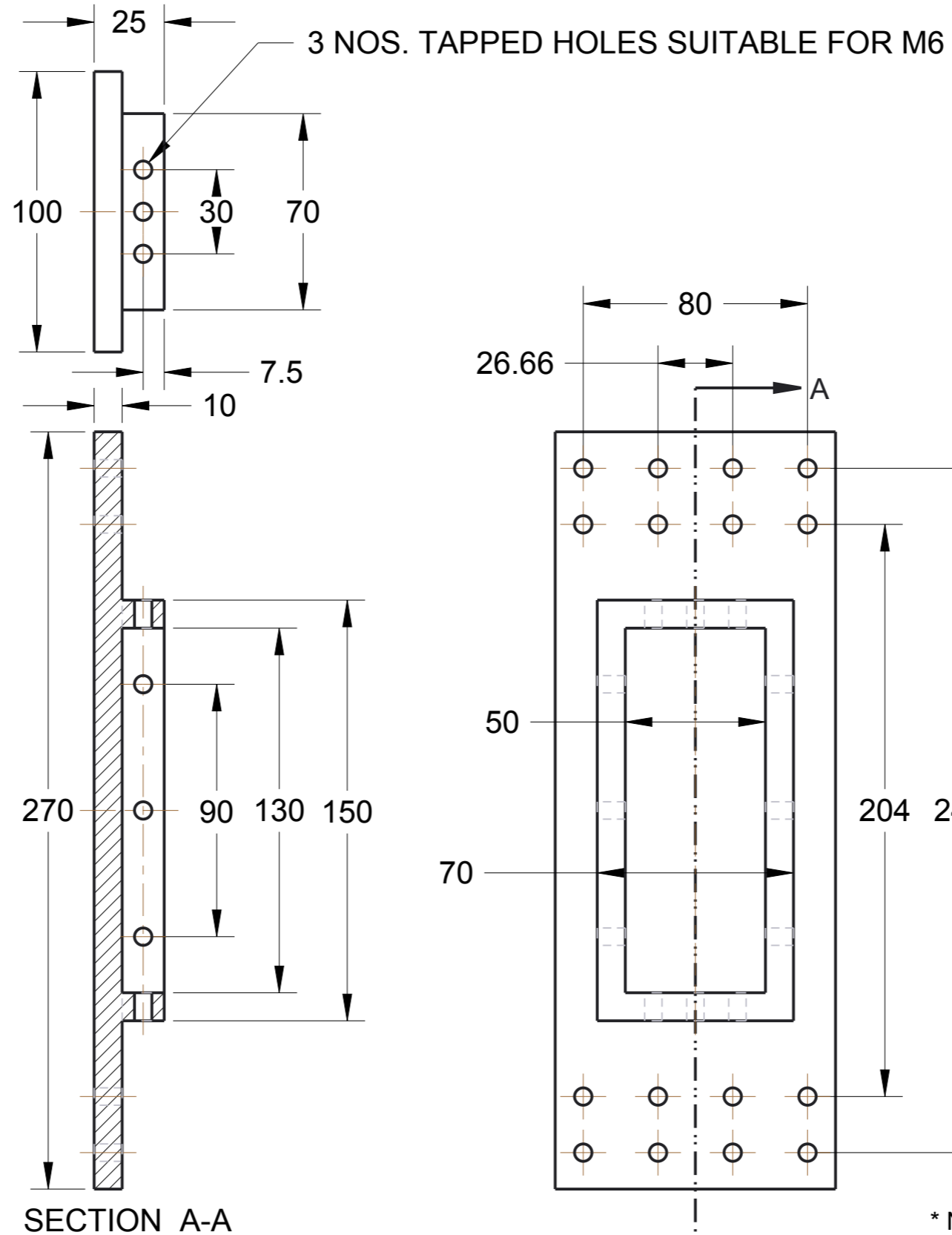
This drawing is our property. it can't be produced or communicated without our written agreement.		INSTITUTE FOR PLASMA RESEARCH	
DRAWN BY	DATE	JOINT 5 FEMALE LUG FLANGE	
CHECKED BY	DATE	A3 SIZE	IPR/RHRTD/IVIS/DRG- 12
		MATERIAL : AL6061-T6	WEIGHT : 0.87 kg
			SHEET

4 NOS. THROUGH HOLES OF $\phi 6.2$
 4 NOS. TAPPED HOLES SUITABLE FOR M6

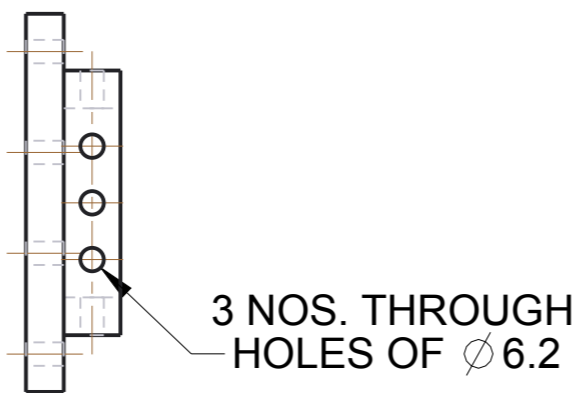


4 NOS. TAPPED HOLES SUITABLE FOR M6

4 NOS. THROUGH HOLES OF $\phi 6.2$

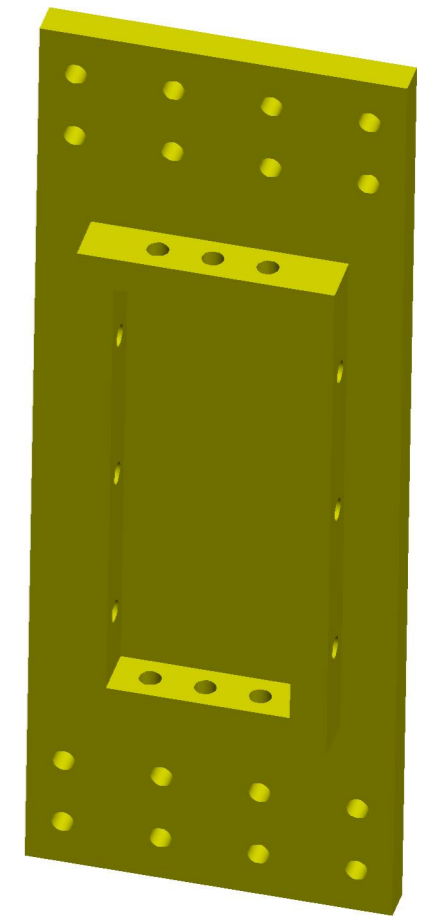


SECTION A-A

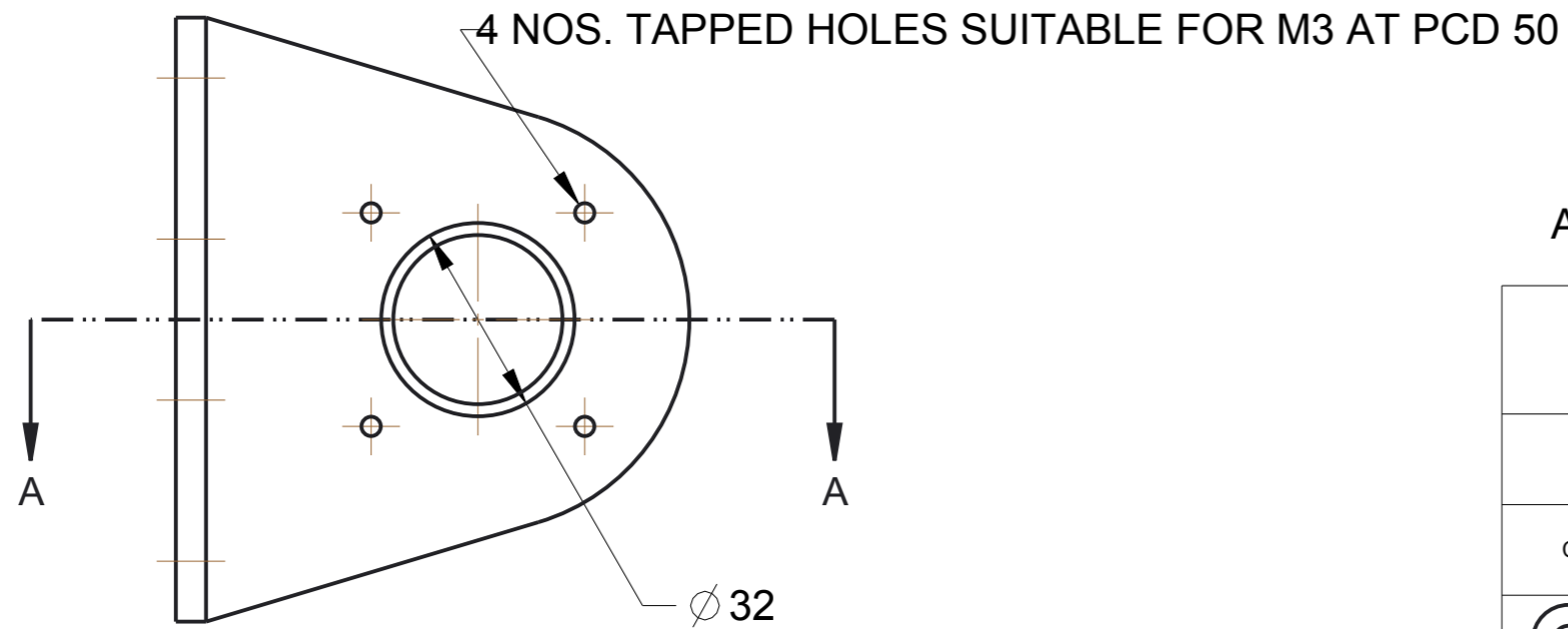
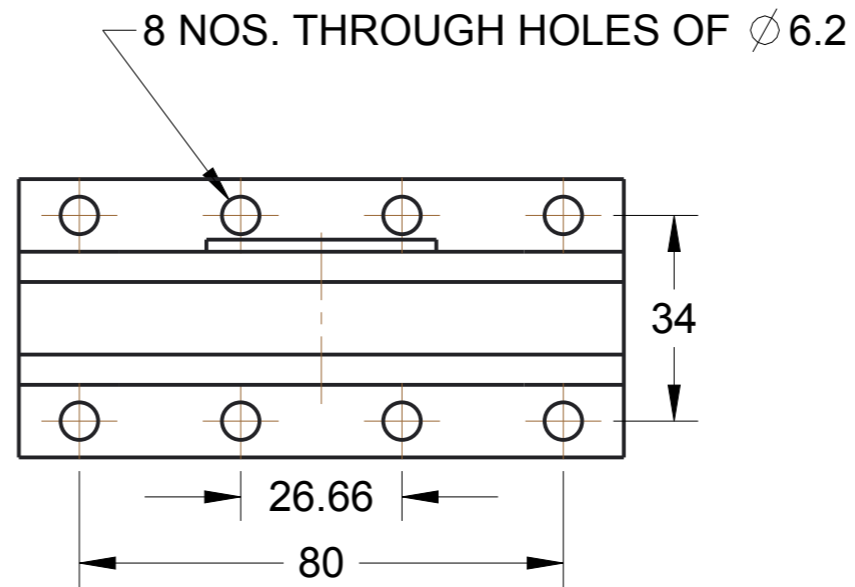
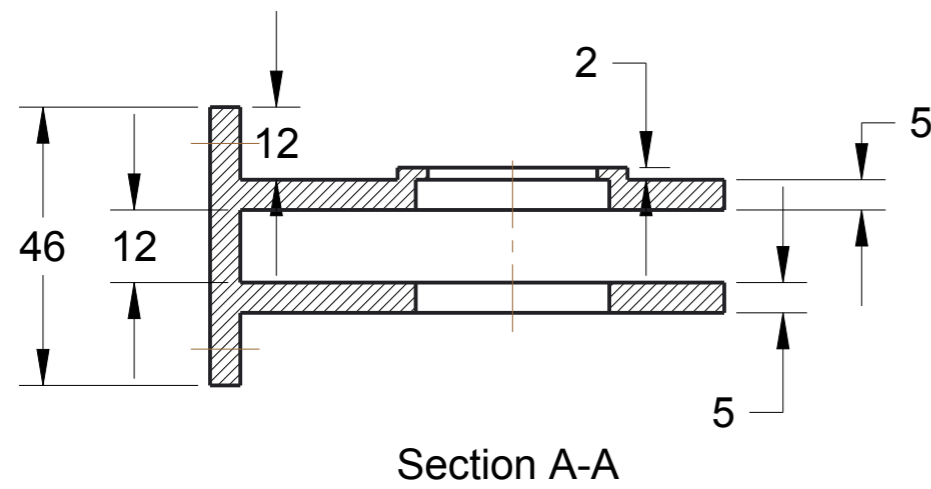
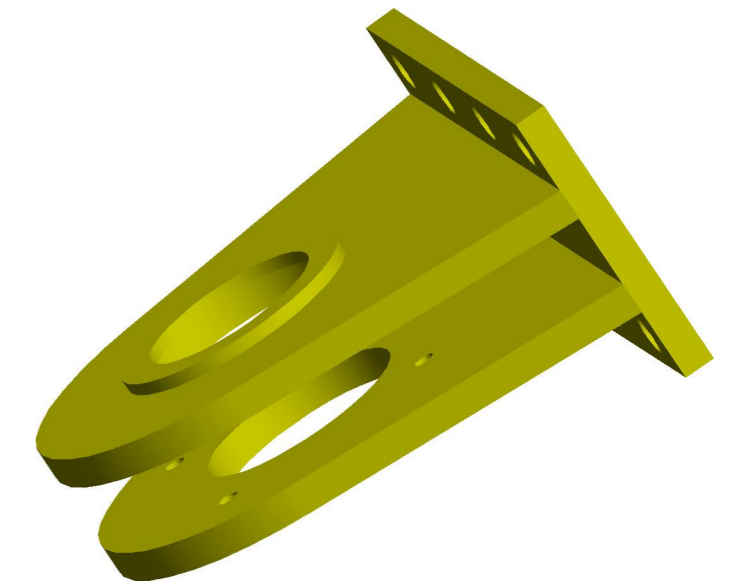
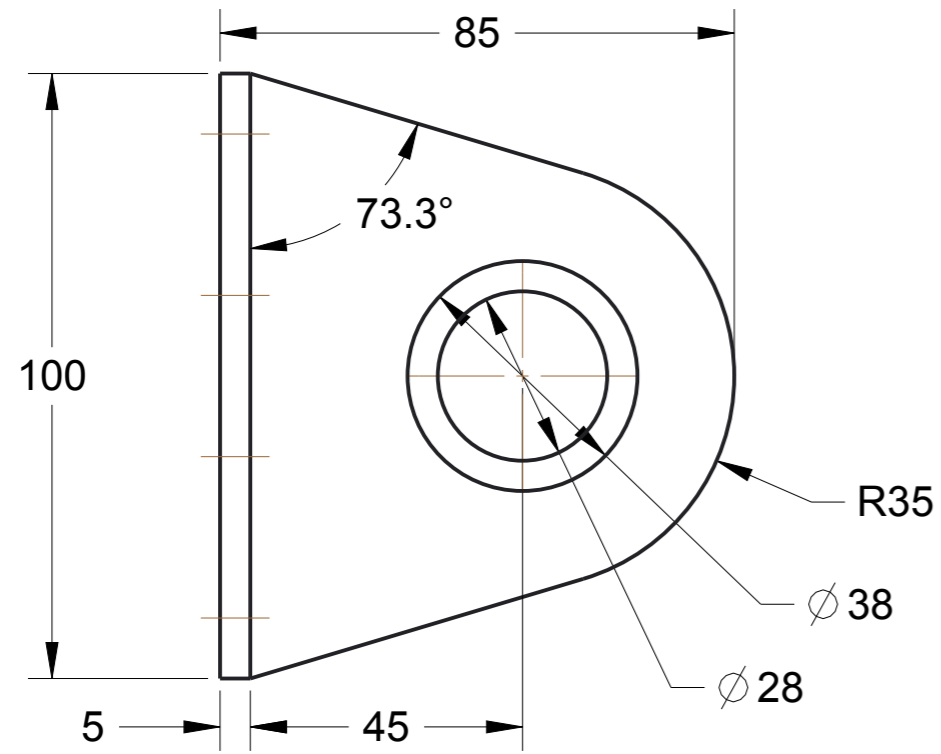


3 NOS. THROUGH HOLES OF $\phi 6.2$

* NOTE:
 1) ALL DIMENSIONS ARE IN mm
 2) HELICOILS SHALL BE INSERTED IN AL TAPPING

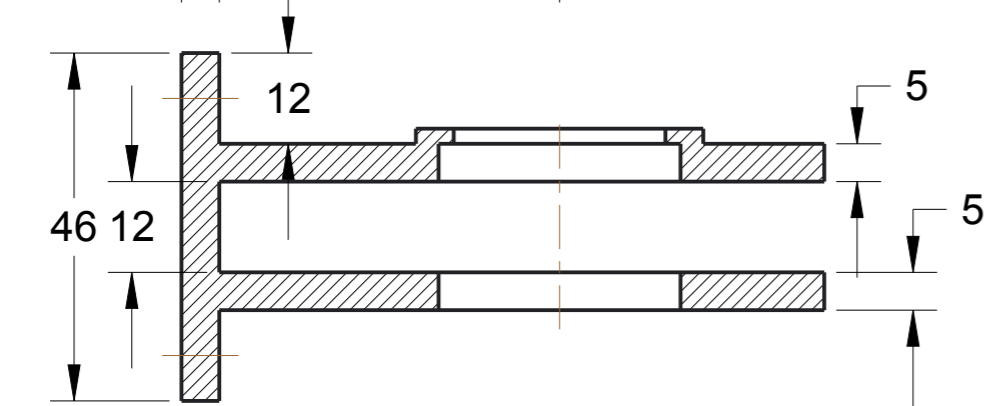
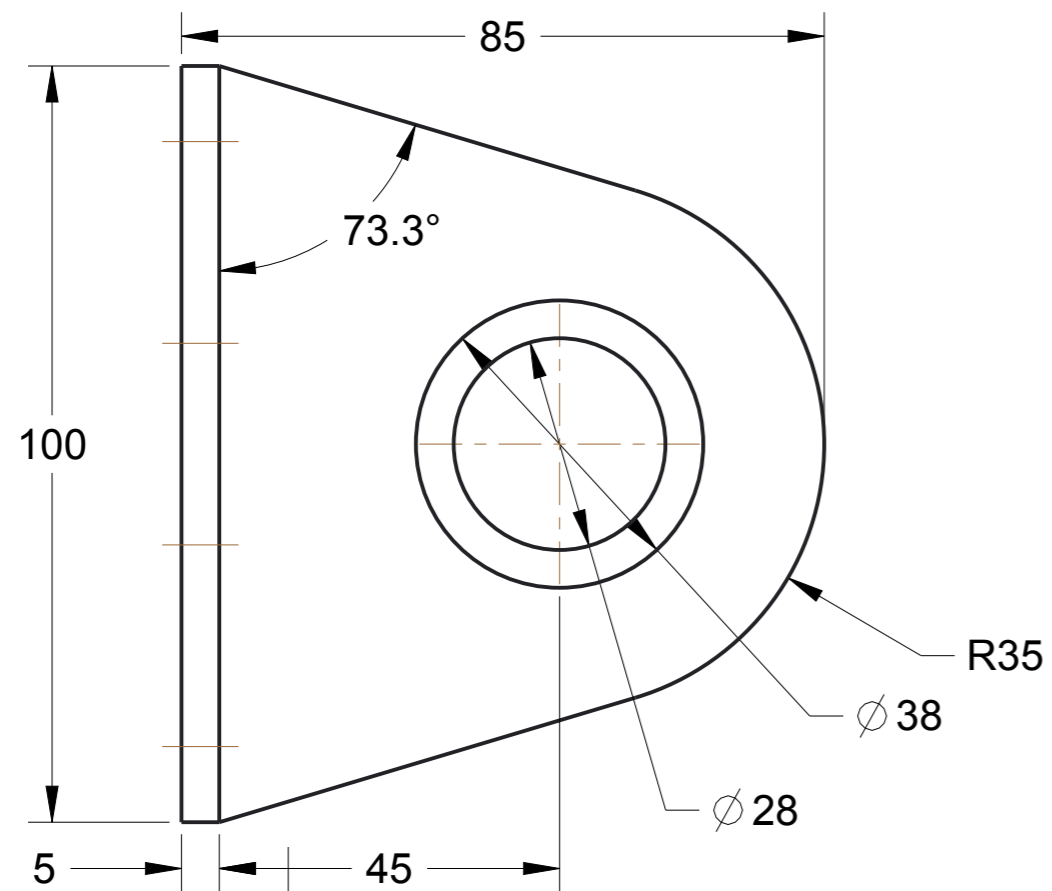


This drawing is our property. it can't be produced or communicated without our written agreement.		INSTITUTE FOR PLASMA RESEARCH	
DRAWN BY	DATE	JOINT 5 MALE LUG FLANGE	
CHECKED BY	DATE	A3 SIZE	IPR/RHRTD/IVIS/DRG- 13
		MATERIAL : AL6061-T6	WEIGHT : 0.87 kg
			SHEET

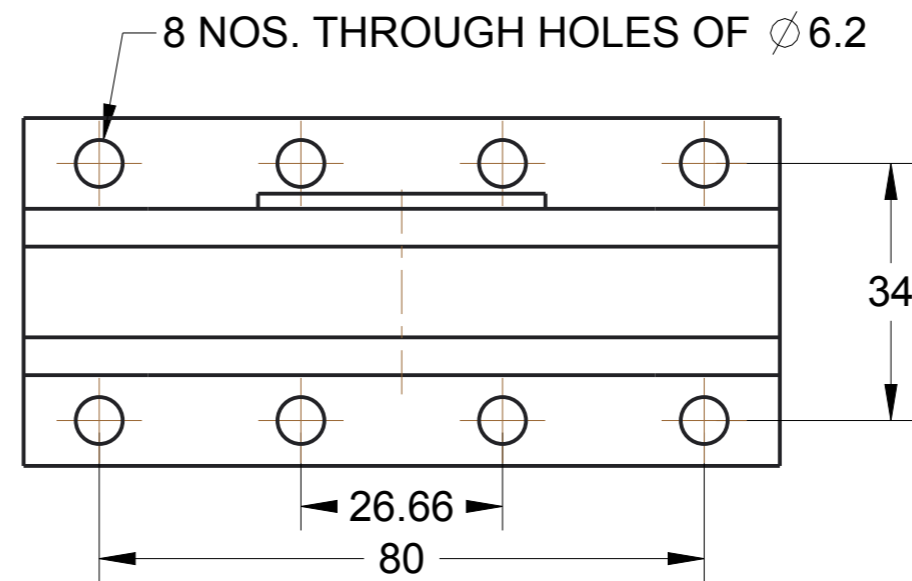
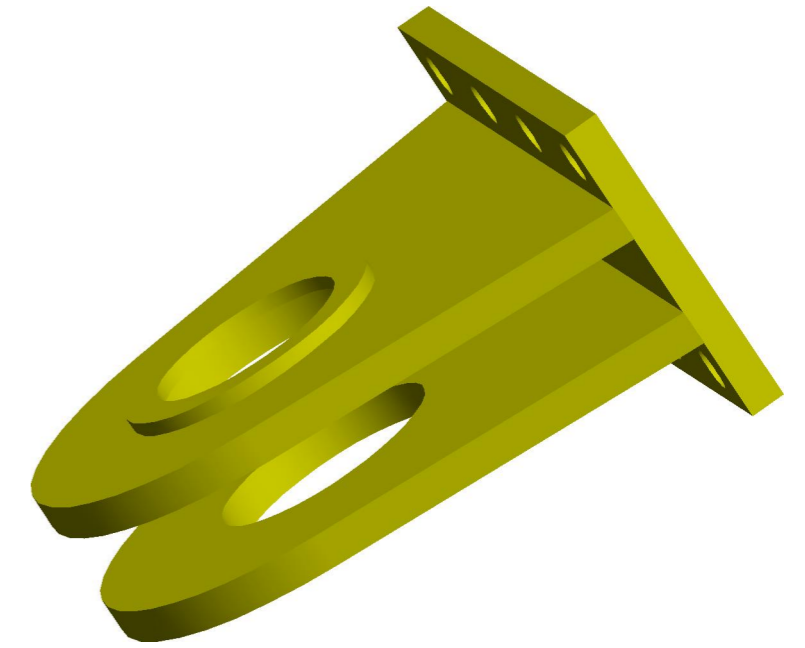
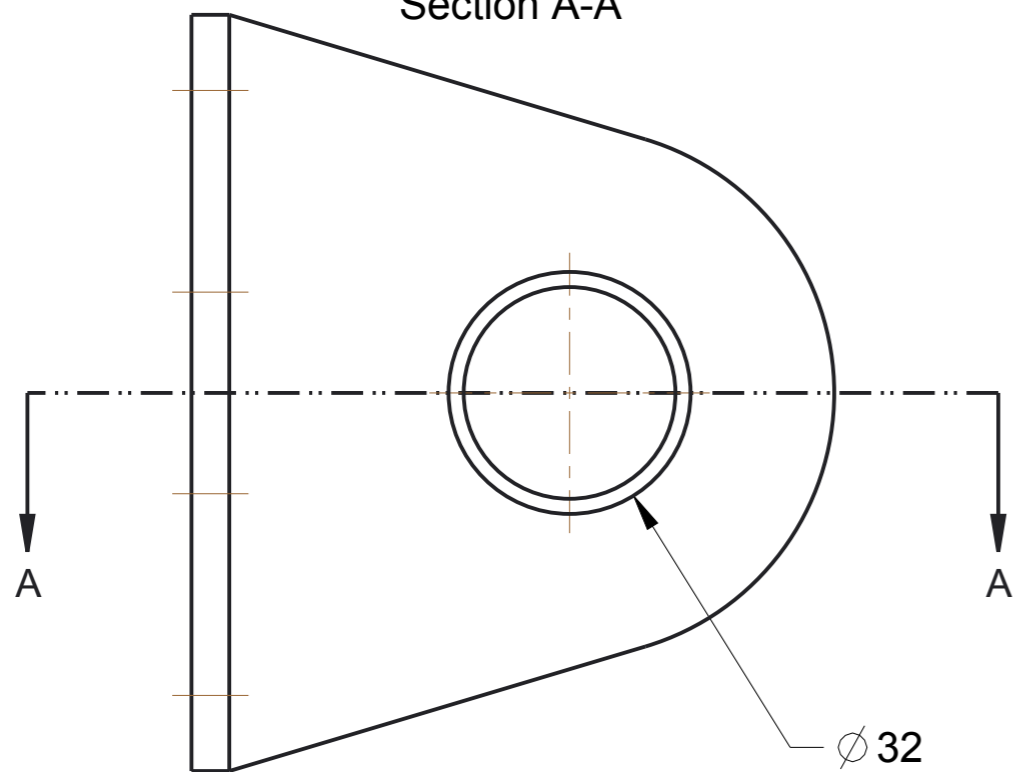


ALL DIMENSIONS ARE IN mm

This drawing is our property. it can't be produced or communicated without our written agreement.		INSTITUTE FOR PLASMA RESEARCH		
DRAWN BY	DATE	FEMALE LOWER LUG		
CHECKED BY	DATE	A3 SIZE	IPR/RHRTD/IVIS/DRG- 14	
		MATERIAL : SS304	WEIGHT : 0.56 kg	SHEET

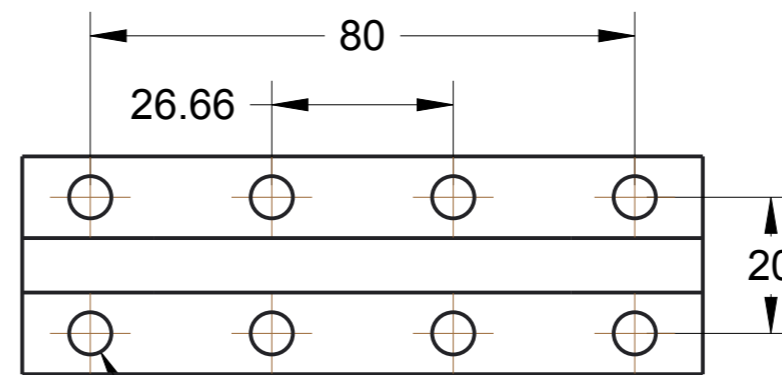
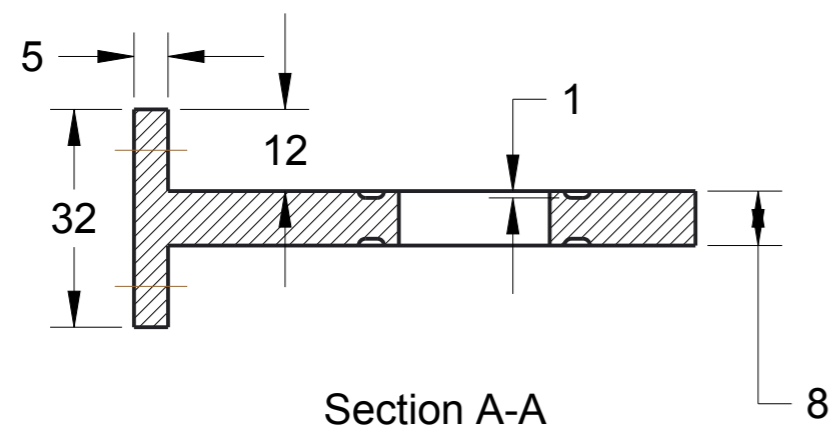
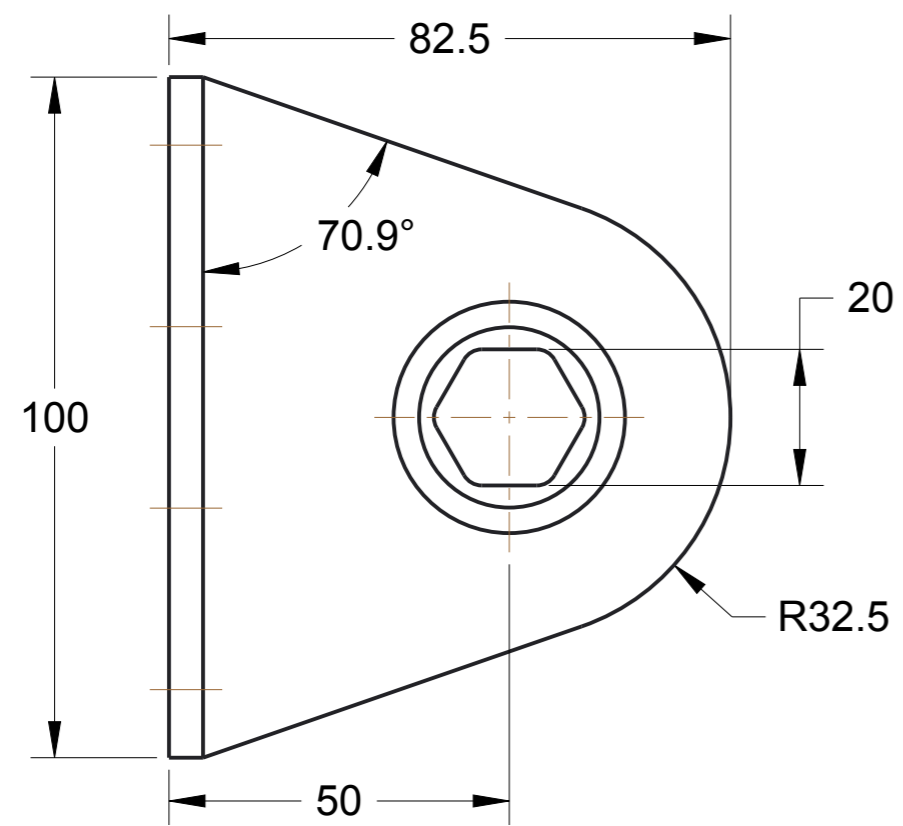


Section A-A

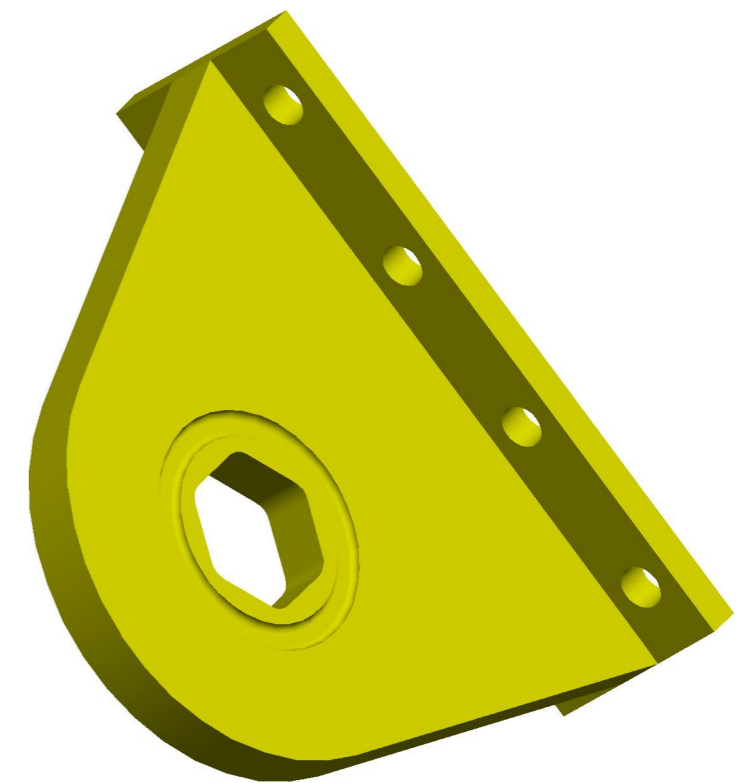
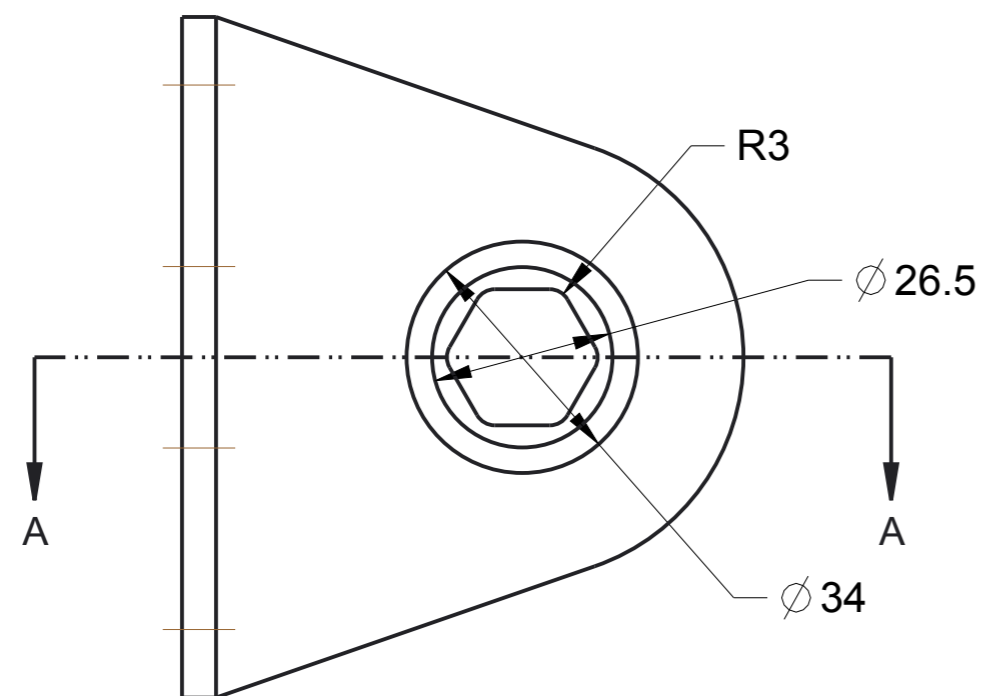


ALL DIMENSIONS ARE IN mm

This drawing is our property. it can't be produced or communicated without our written agreement.		INSTITUTE FOR PLASMA RESEARCH		
DRAWN BY	DATE	FEMALE UPPER LUG		
CHECKED BY	DATE	A3 SIZE	IPR/RHRTD/IVIS/DRG- 15	
		MATERIAL : SS304	WEIGHT : 0.57 kg	SHEET

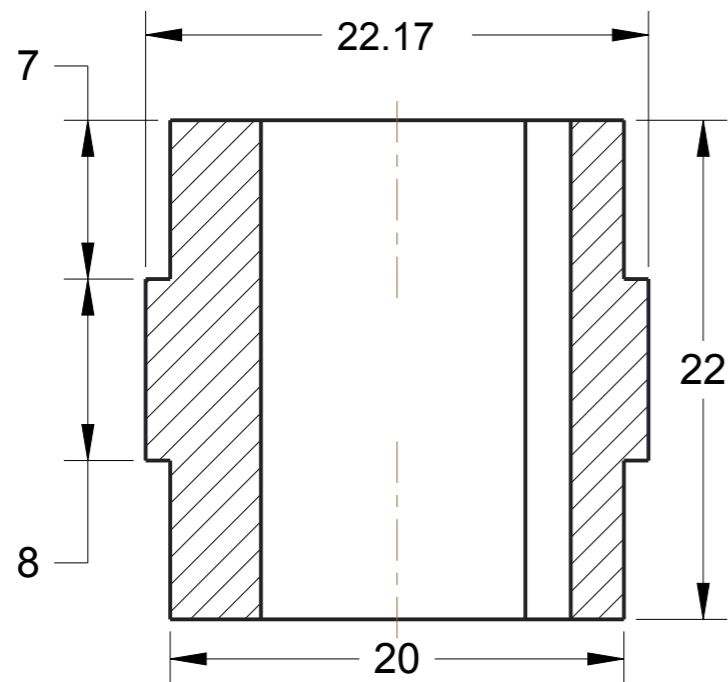
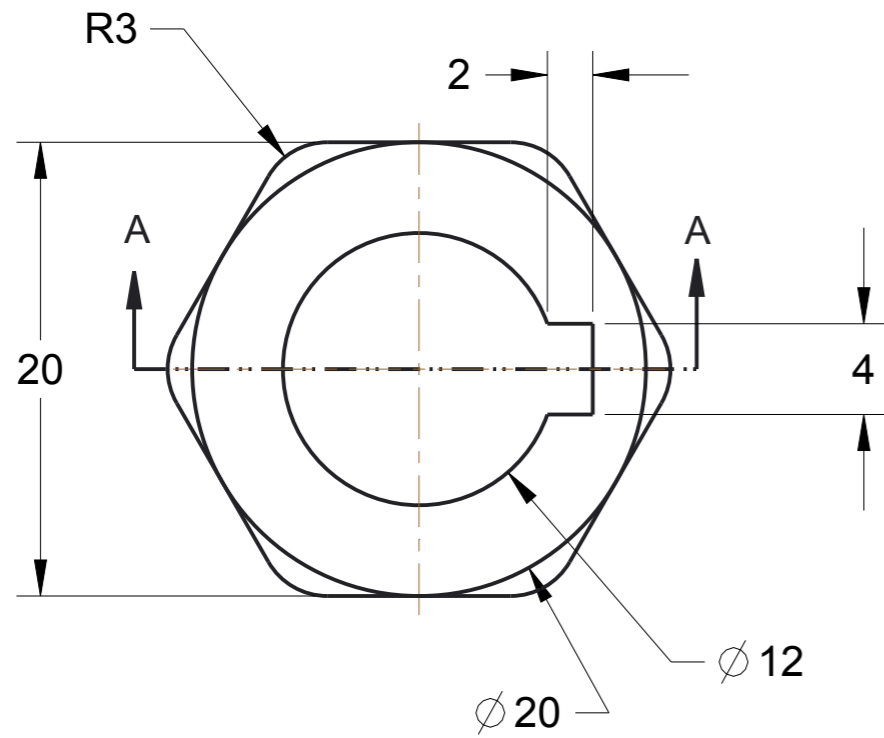


8 NOS. THROUGH HOLES OF $\phi 6.2$

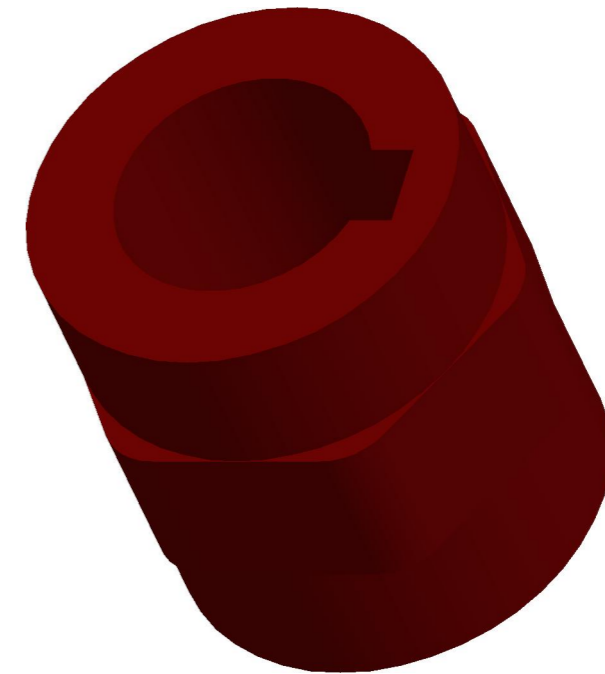


ALL DIMENSIONS ARE IN mm


This drawing is our property. it can't be produced or communicated without our written agreement.		INSTITUTE FOR PLASMA RESEARCH		
DRAWN BY	DATE	MALE LUG		
CHECKED BY	DATE	A3 SIZE	IPR/RHRTD/IVIS/DRG- 16	
		MATERIAL : SS304	WEIGHT : 0.43 kg	SHEET

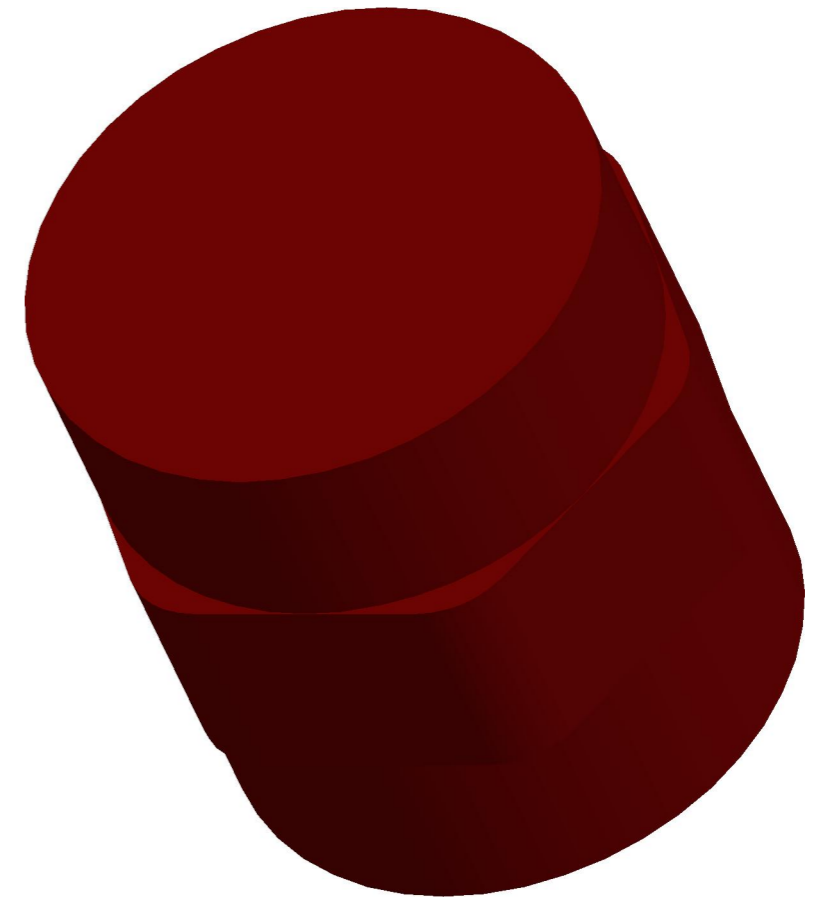
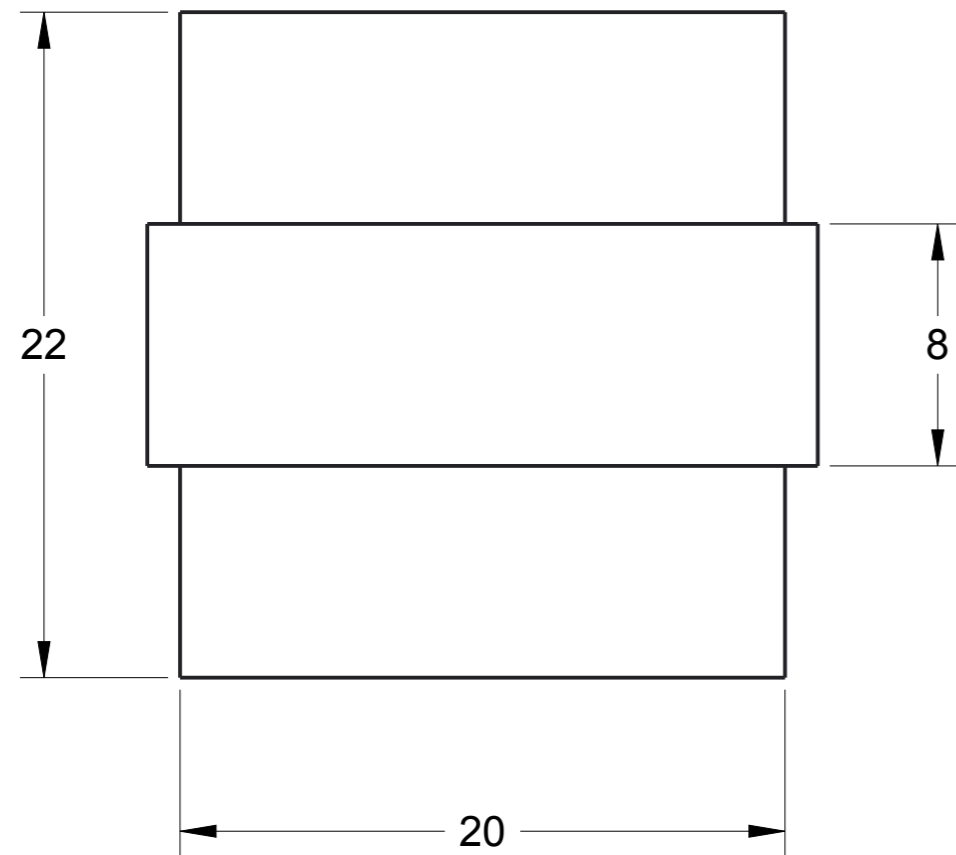
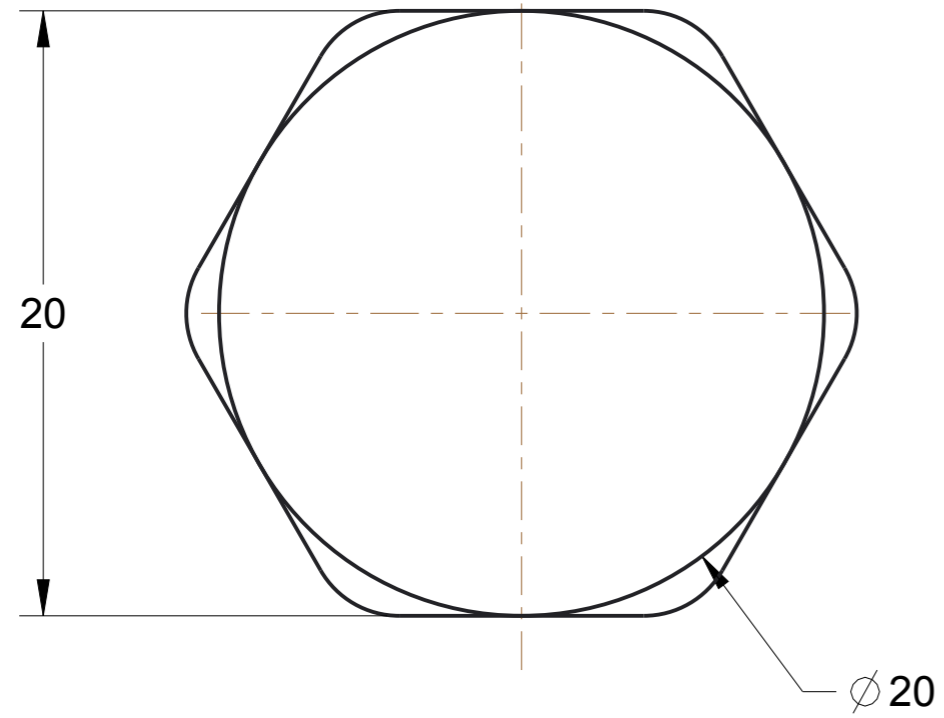


Section A-A





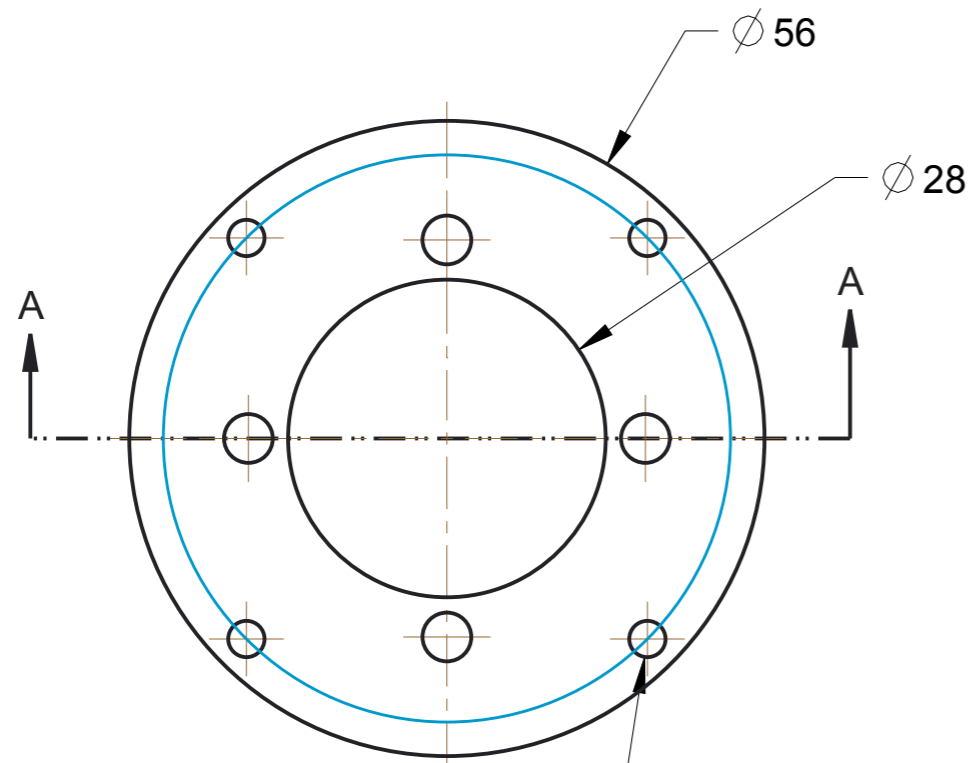
ALL DIMENSIONS ARE IN mm

This drawing is our property. it can't be produced or communicated without our written agreement.		INSTITUTE FOR PLASMA RESEARCH		
DRAWN BY	DATE	LOWER SHAFT		
CHECKED BY	DATE	A3 SIZE	IPR/RHRTD/IVIS/DRG- 17	
		MATERIAL : SS304	WEIGHT : 0.035 kg	SHEET

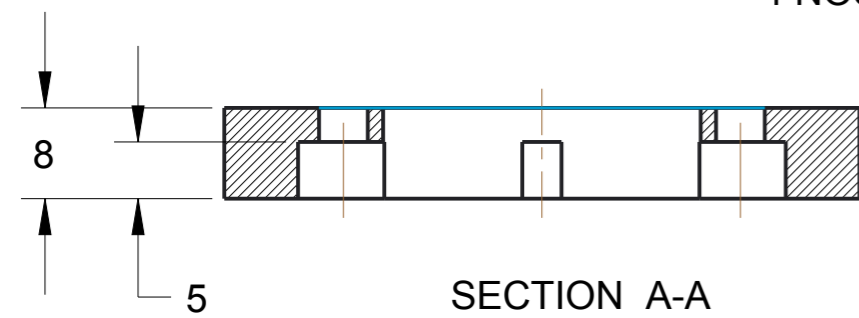


ALL DIMENSIONS ARE IN mm

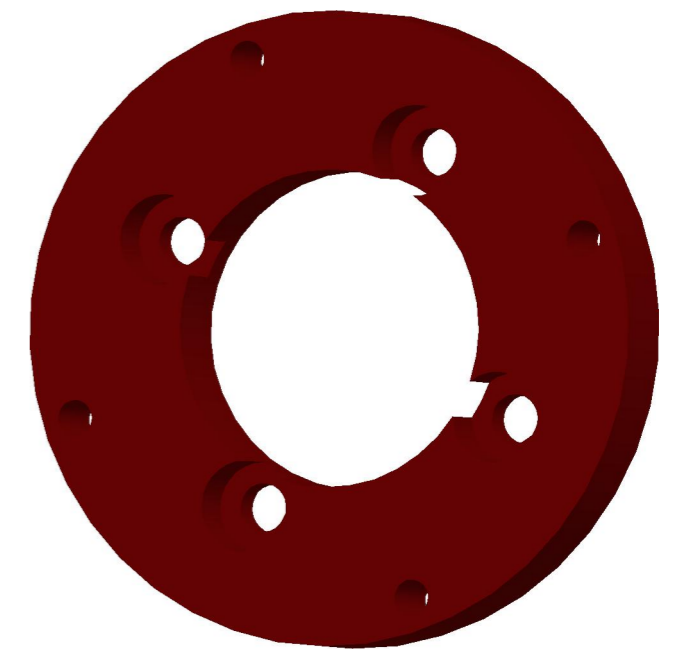
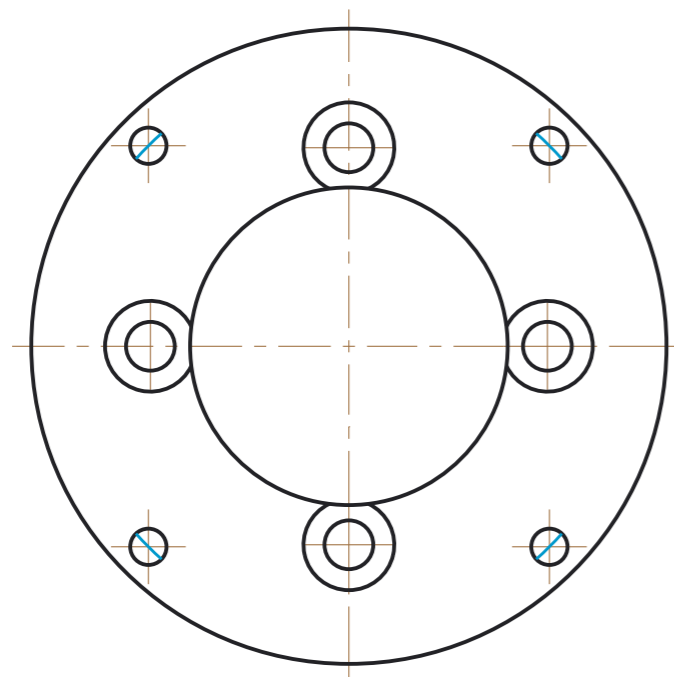
This drawing is our property. it can't be produced or communicated without our written agreement.		INSTITUTE FOR PLASMA RESEARCH		
DRAWN BY	DATE	UPPER SHAFT		
CHECKED BY	DATE	A3 SIZE	IPR/RHRTD/IVIS/DRG- 18	
		MATERIAL : SS304	WEIGHT : 0.055kg	SHEET





4 NOS. THROUGH HOLES OF ϕ 3.2 AT PCD 50

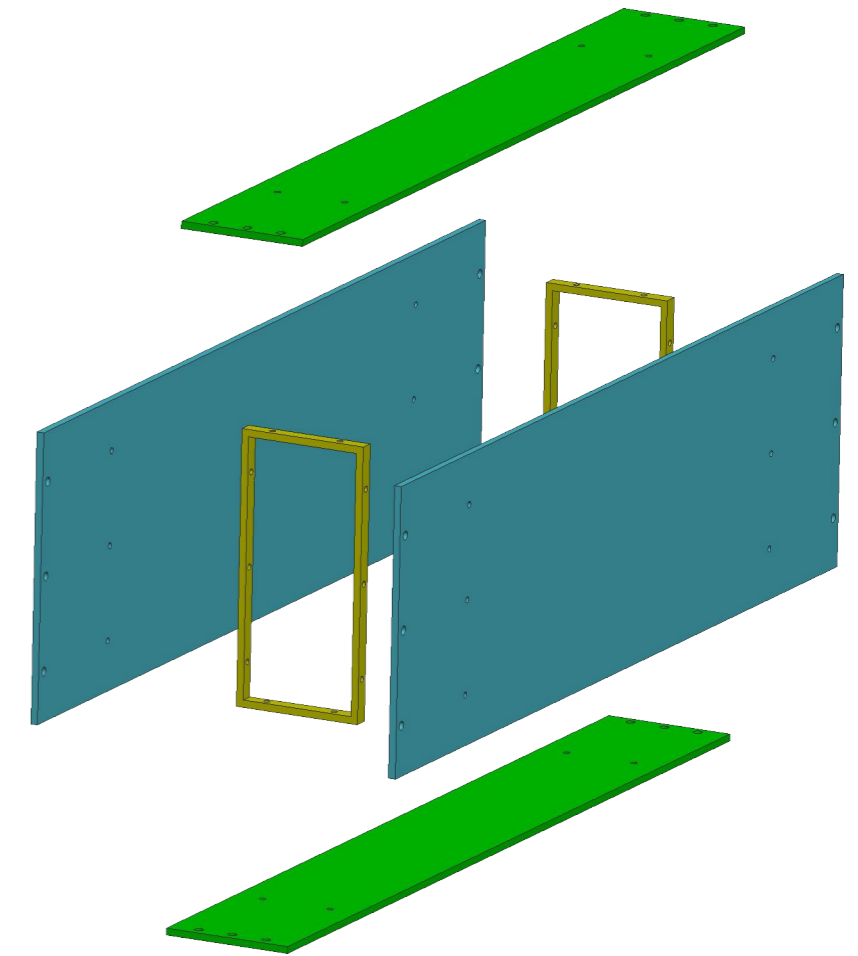
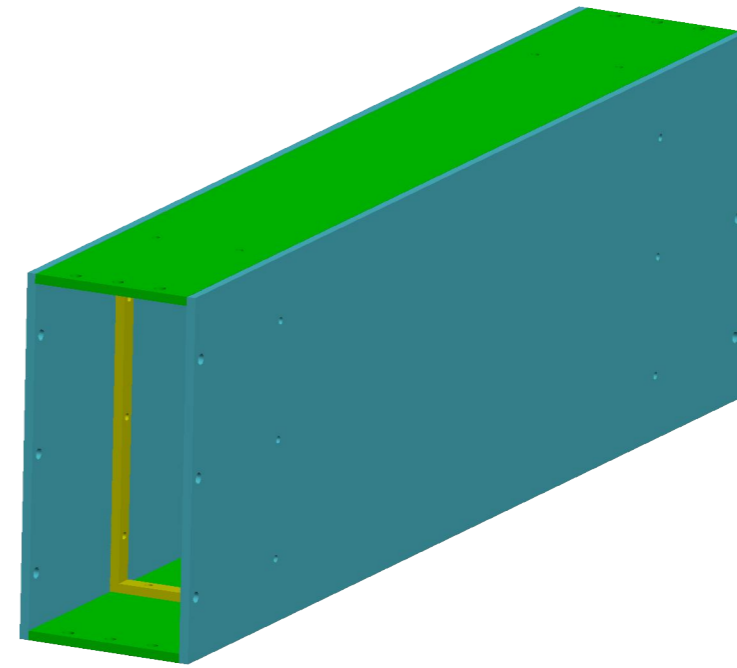
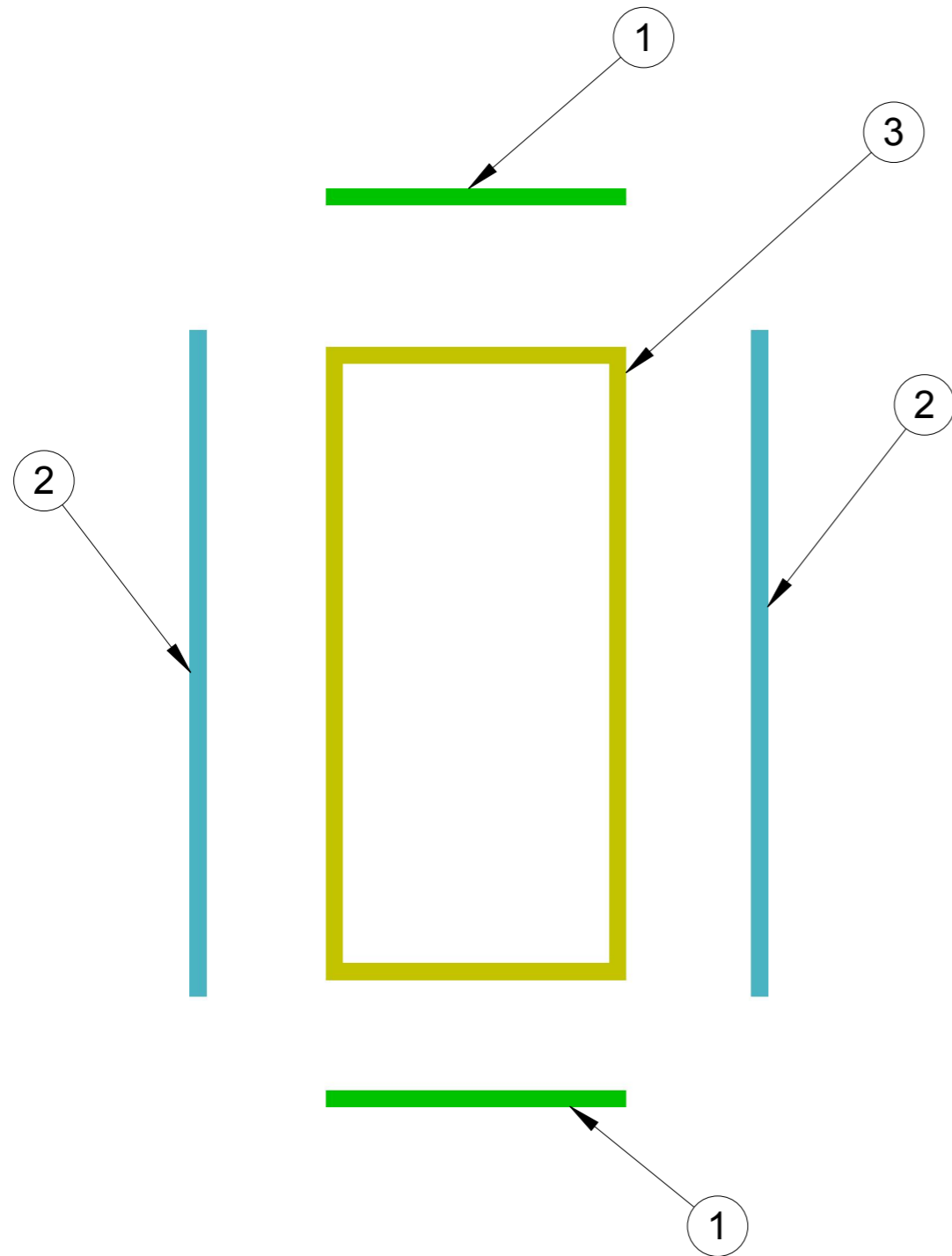


SECTION A-A



ALL DIMENSIONS ARE IN mm

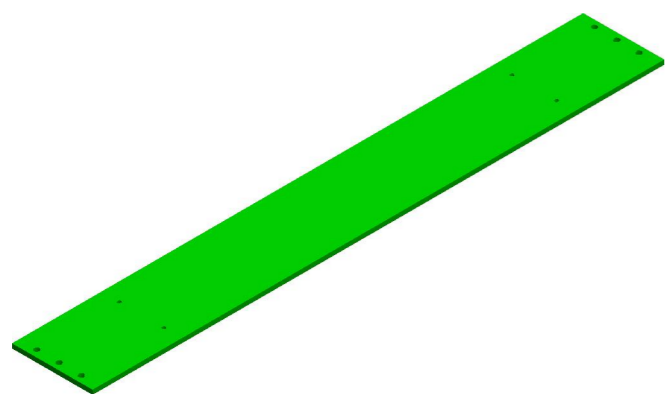
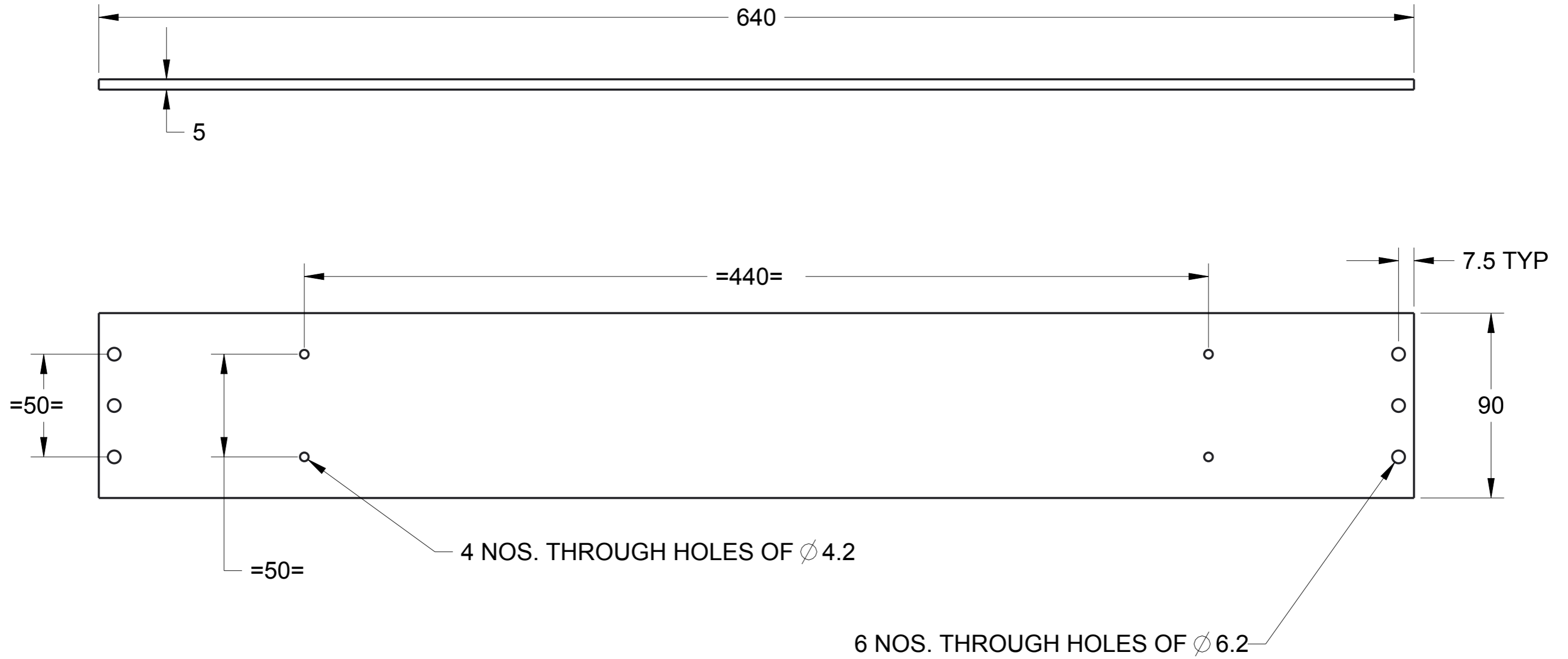
This drawing is our property. it can't be produced or communicated without our written agreement.		INSTITUTE FOR PLASMA RESEARCH		
DRAWN BY	DATE	MOTOR LUG INTERFACE		
CHECKED BY	DATE	A3 SIZE	IPR/RHRTD/IVIS/DRG- 19	
		MATERIAL : SS304	WEIGHT : 0.036 kg	SHEET



3	LINK n STIFFNER	2
2	LINK n VERTICAL PLATE	2
1	LINK n HORIZONTAL PLATE	2
SR NO.	DESCRIPTION	QTY

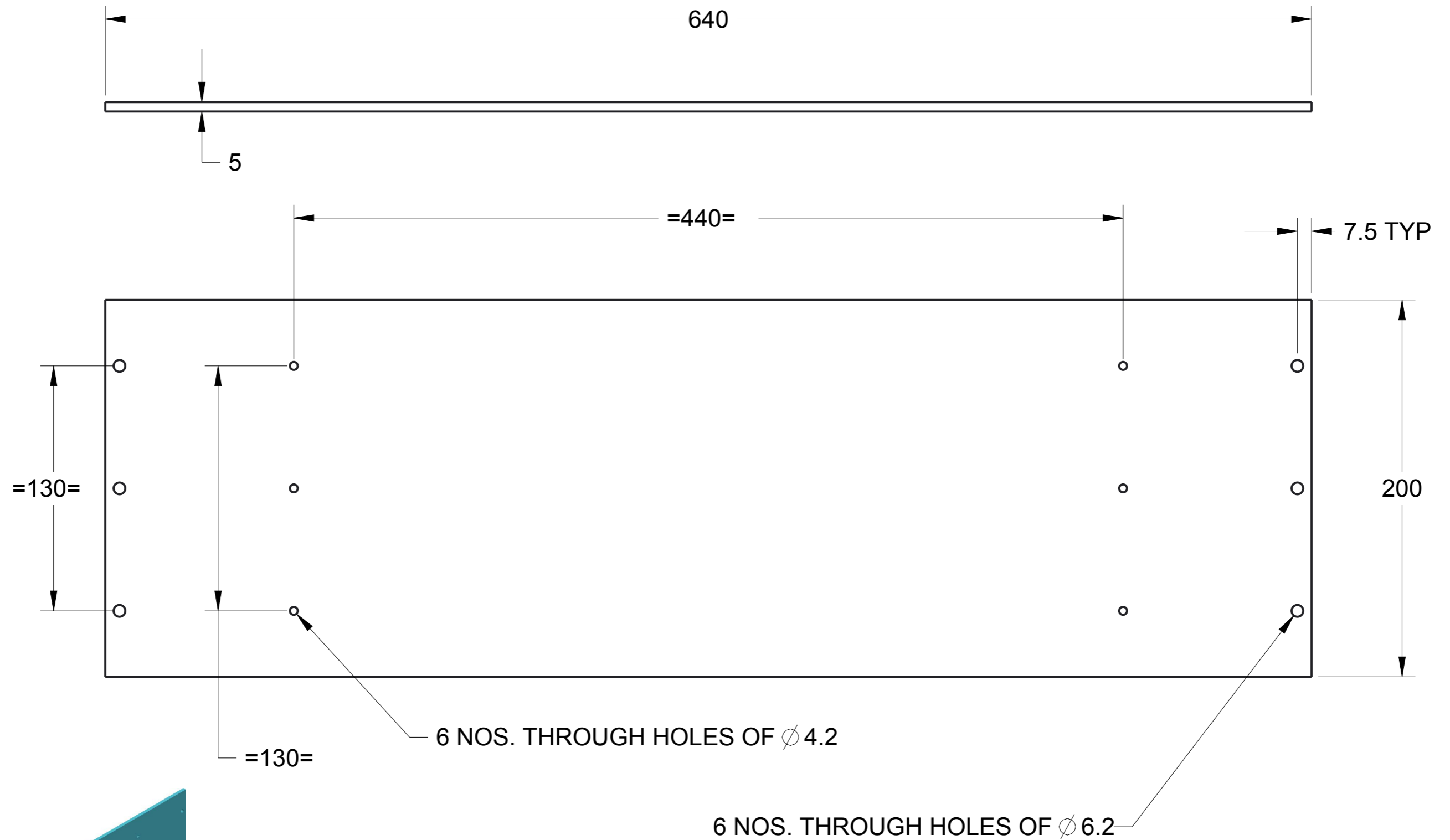
* NOTE :
ALL DIMENSIONS ARE IN mm

This drawing is our property. it can't be produced or communicated without our written agreement.		INSTITUTE FOR PLASMA RESEARCH		
DRAWN BY	DATE	LINK n ASSEMBLY		
CHECKED BY	DATE	A3 SIZE	IPR/RHRTD/IVIS/DRG- 20	
		MATERIAL :	WEIGHT : kg	SHEET




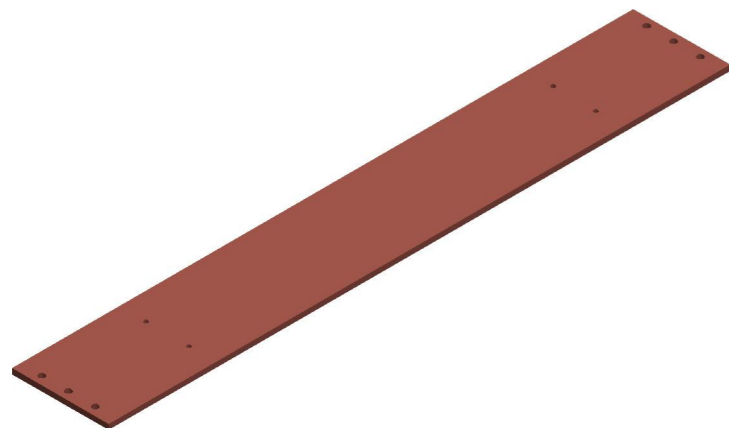
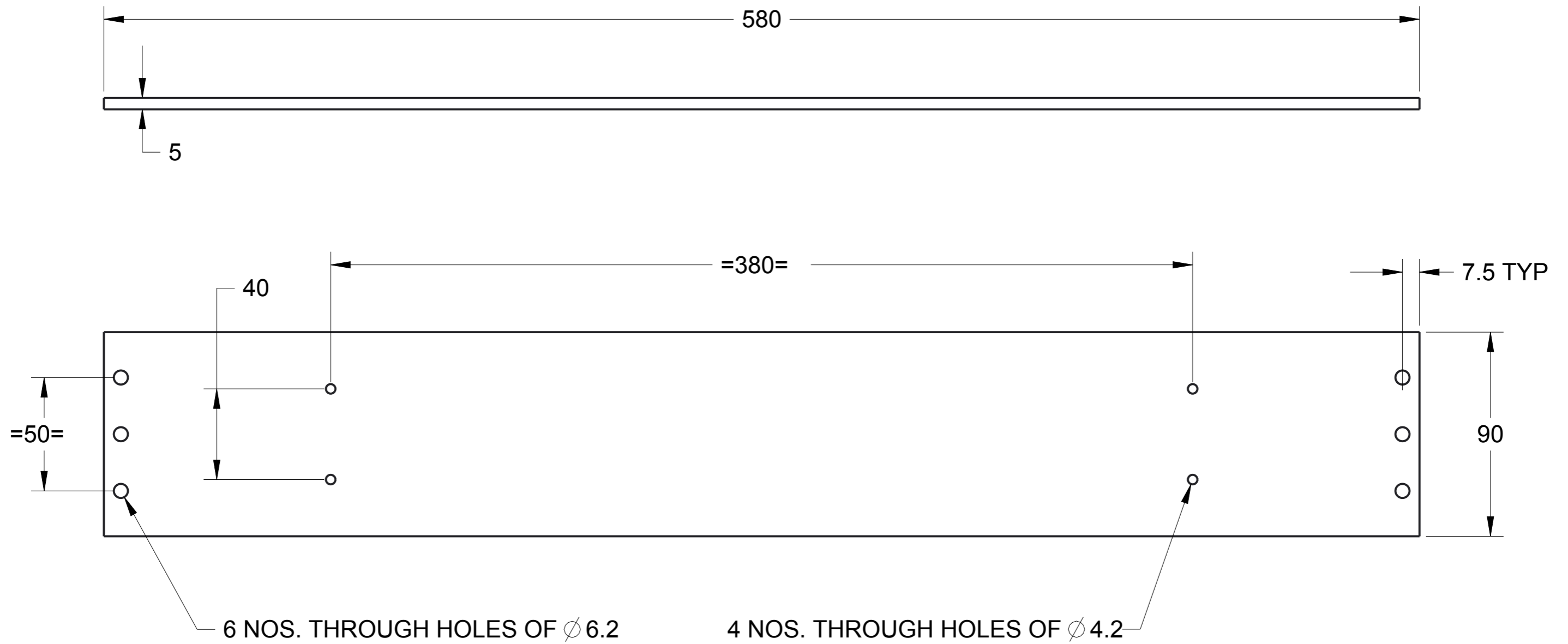
* NOTE :
ALL DIMENSIONS ARE IN mm

This drawing is our property. it can't be produced or communicated without our written agreement.		INSTITUTE FOR PLASMA RESEARCH		
DRAWN BY	DATE	LINK 0 HORIZONTAL PLATE		
CHECKED BY	DATE	A3 SIZE	IPR/RHRTD/IVIS/DRG- 21	
		MATERIAL : SS304	WEIGHT : 2.22 kg	SHEET



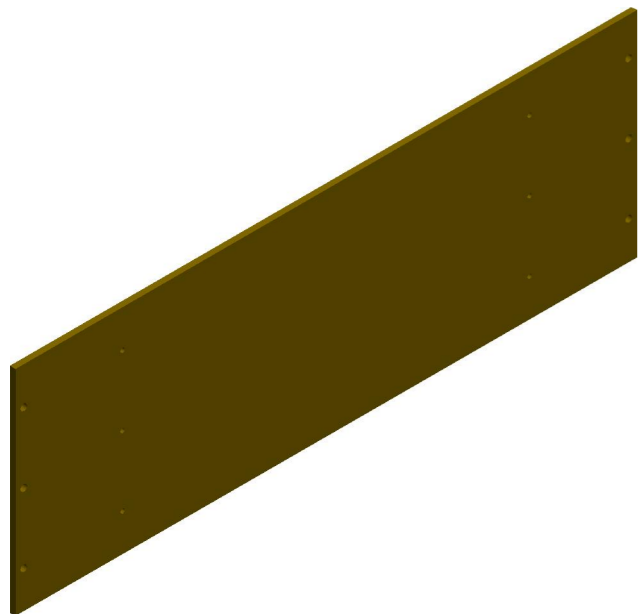
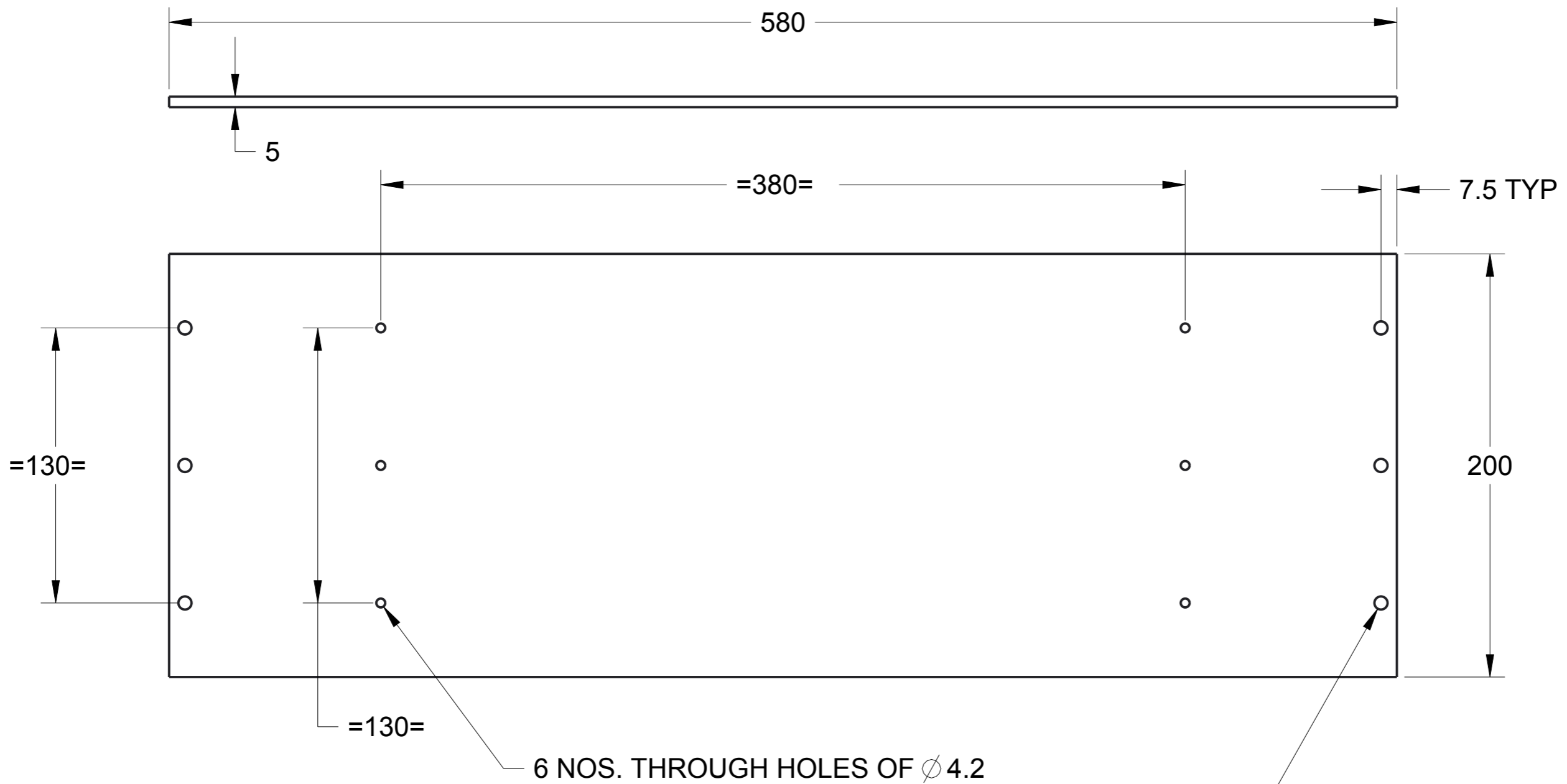
* NOTE :
ALL DIMENSIONS ARE IN mm

This drawing is our property. it can't be produced or communicated without our written agreement.		INSTITUTE FOR PLASMA RESEARCH		
DRAWN BY	DATE	LINK 0 VERTICAL PLATE		
CHECKED BY	DATE	A3 SIZE	IPR/RHRTD/IVIS/DRG- 22	
		MATERIAL : SS304	WEIGHT : 4.94 kg	SHEET





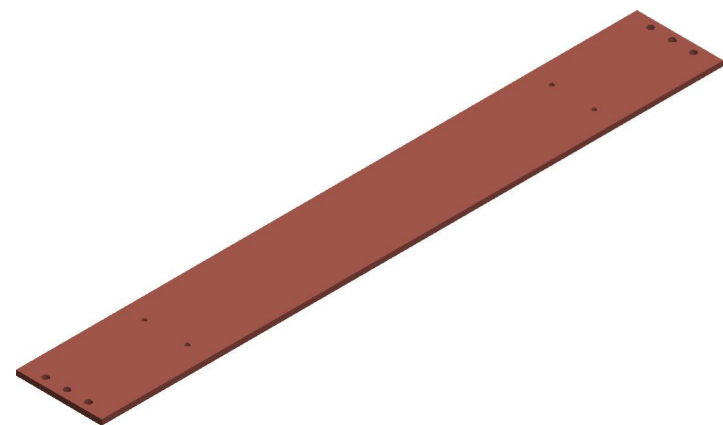
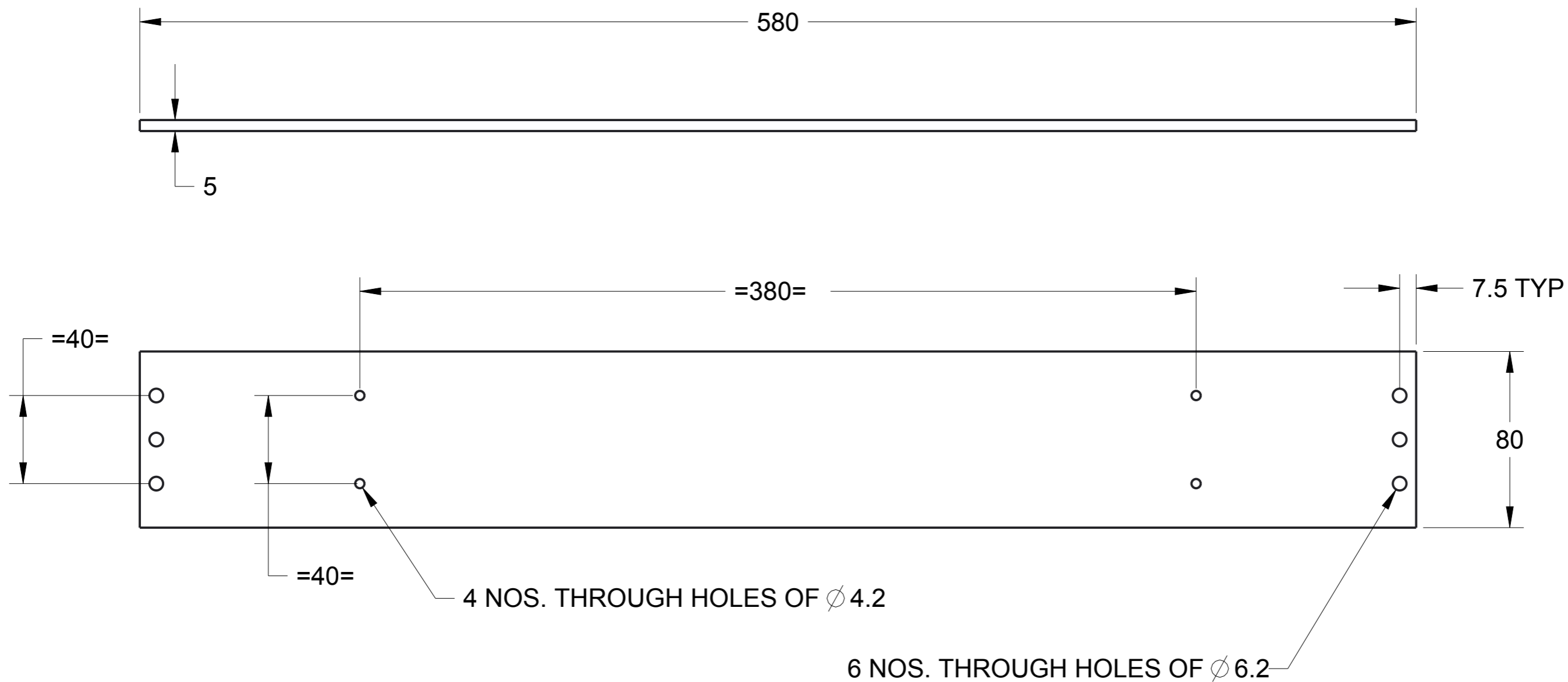
* NOTE :
ALL DIMENSIONS ARE IN mm

This drawing is our property. it can't be produced or communicated without our written agreement.		INSTITUTE FOR PLASMA RESEARCH		
DRAWN BY	DATE	LINK 1 HORIZONTAL PLATE		
CHECKED BY	DATE	A3 SIZE	IPR/RHRTD/IVIS/DRG- 23	
		MATERIAL : AL6061-T6	WEIGHT : 0.70 kg	SHEET



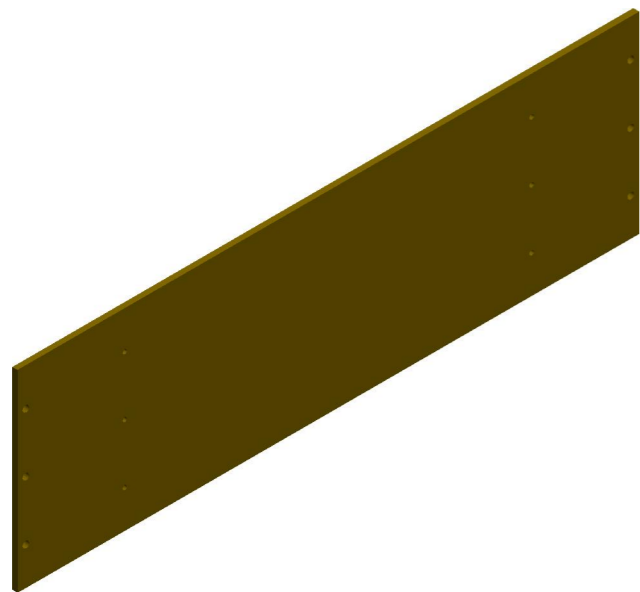
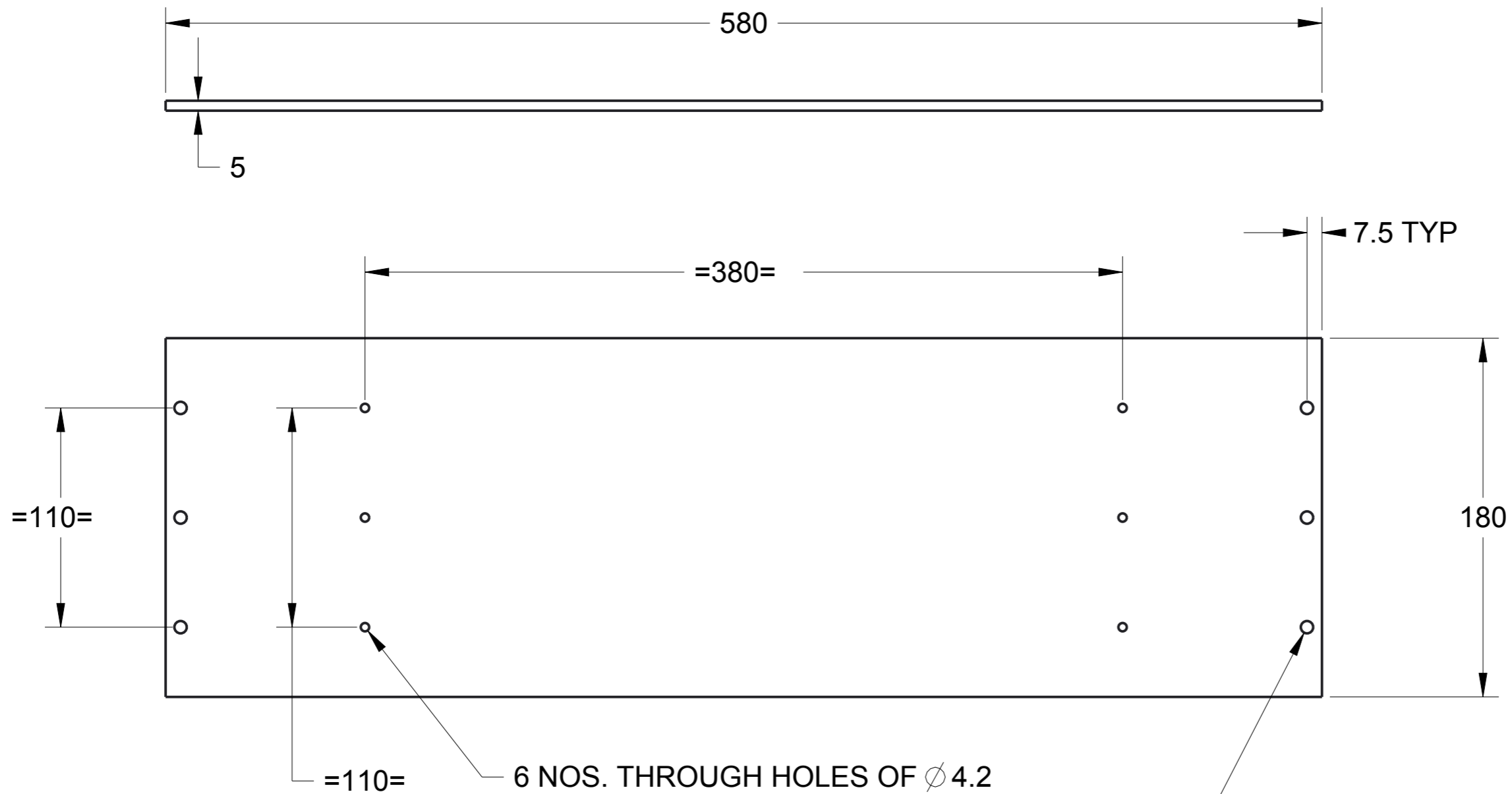
* NOTE :
ALL DIMENSIONS ARE IN mm

This drawing is our property. it can't be produced or communicated without our written agreement.		INSTITUTE FOR PLASMA RESEARCH	
DRAWN BY	DATE	LINK 1 VERTICAL PLATE	
CHECKED BY	DATE	A3 SIZE	IPR/RHRTD/IVIS/DRG- 24
 		MATERIAL : AL6061-T6	WEIGHT : 1.57 kg
			SHEET



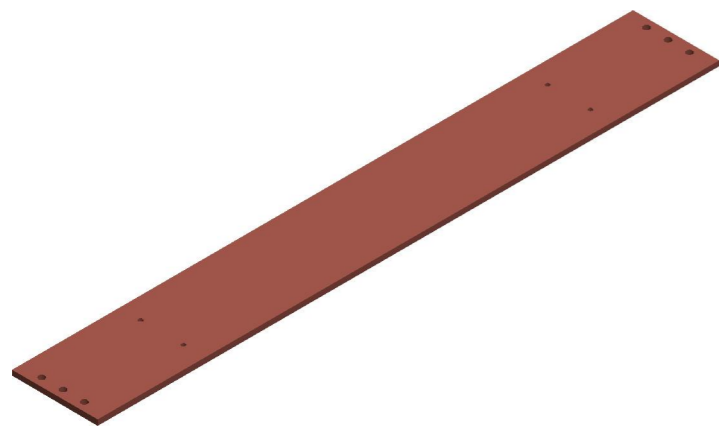
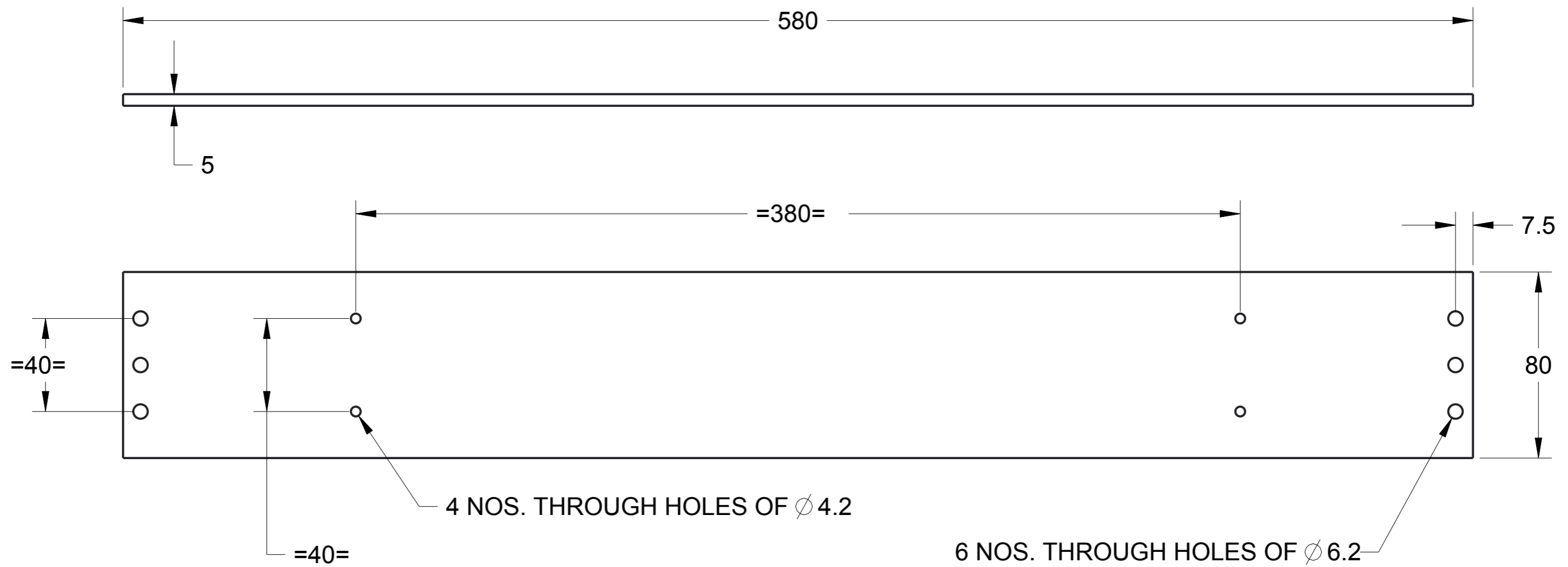
* NOTE :
ALL DIMENSIONS ARE IN mm

This drawing is our property. it can't be produced or communicated without our written agreement.		INSTITUTE FOR PLASMA RESEARCH	
DRAWN BY	DATE	LINK 2 HORIZONTAL PLATE	
CHECKED BY	DATE	A3 SIZE	IPR/RHRTD/IVIS/DRG- 25
		MATERIAL : AL6061-T6	WEIGHT : 0.63 kg
			SHEET




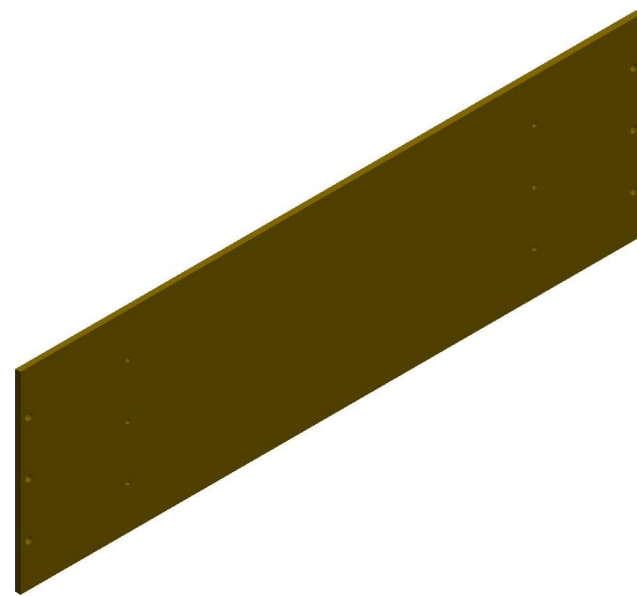
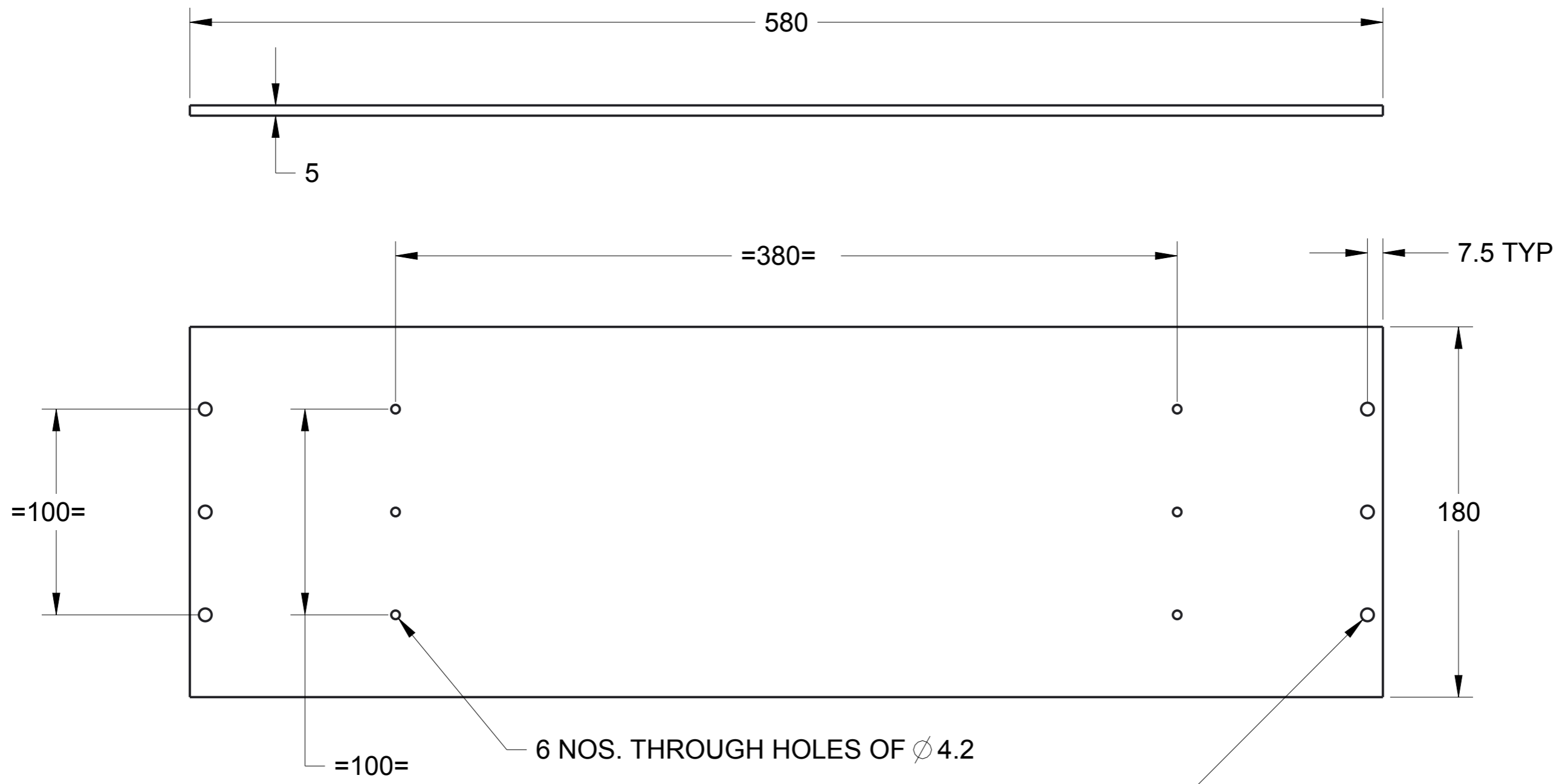
* NOTE :
ALL DIMENSIONS ARE IN mm

This drawing is our property. it can't be produced or communicated without our written agreement.		INSTITUTE FOR PLASMA RESEARCH	
DRAWN BY	DATE	LINK 2 VERTICAL PLATE	
CHECKED BY	DATE	A3 SIZE	IPR/RHRTD/IVIS/DRG- 26
		MATERIAL : AL6061-T6	WEIGHT : 1.41 kg
			SHEET



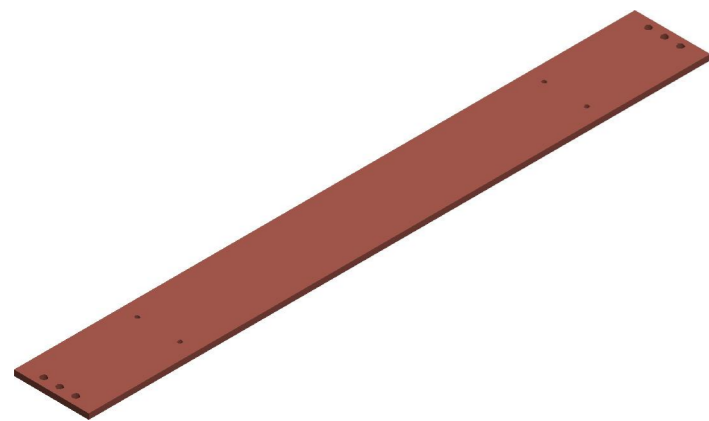
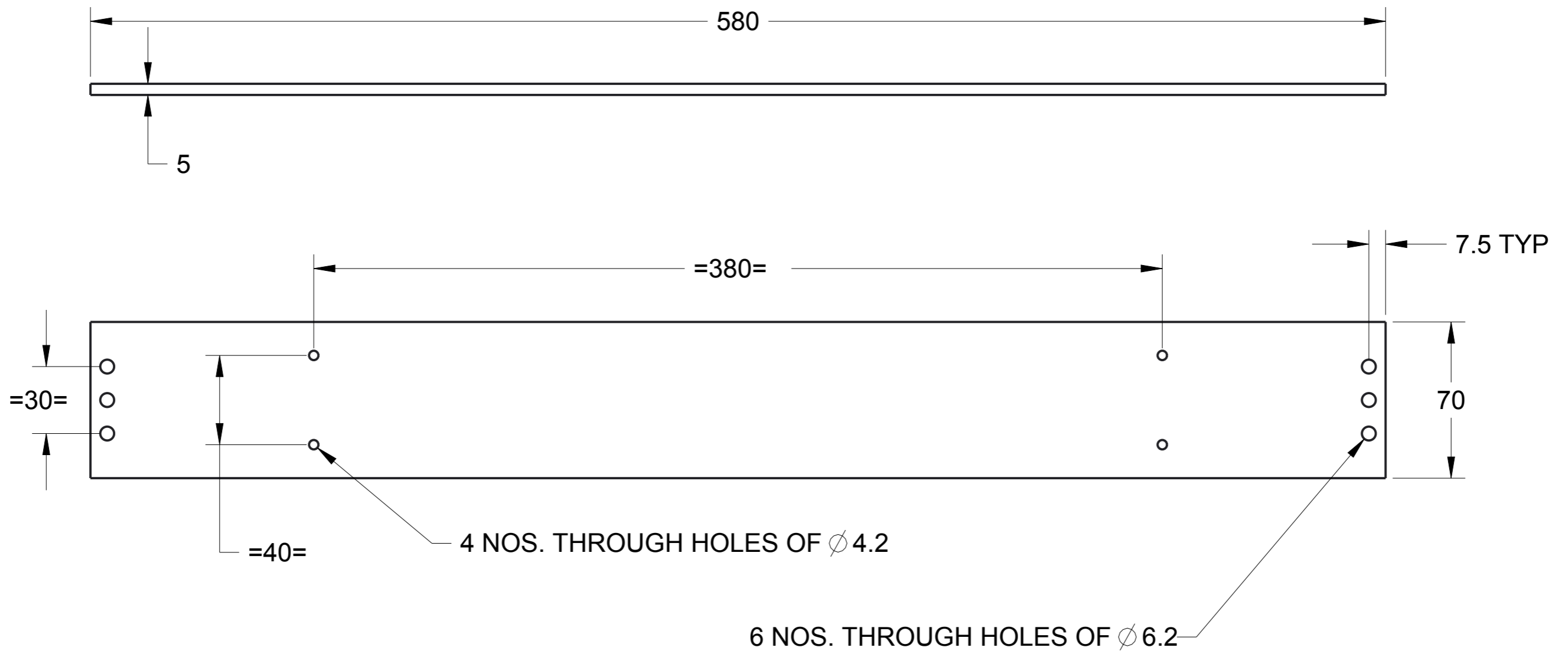
* NOTE :
ALL DIMENSIONS ARE IN mm

This drawing is our property. it can't be produced or communicated without our written agreement.		INSTITUTE FOR PLASMA RESEARCH		
DRAWN BY	DATE	LINK 3 HORIZONTAL PLATE		
CHECKED BY	DATE	A3 SIZE	IPR/RHRTD/IVIS/DRG- 27	
		MATERIAL : AL6061-T6	WEIGHT : 0.63 kg	SHEET



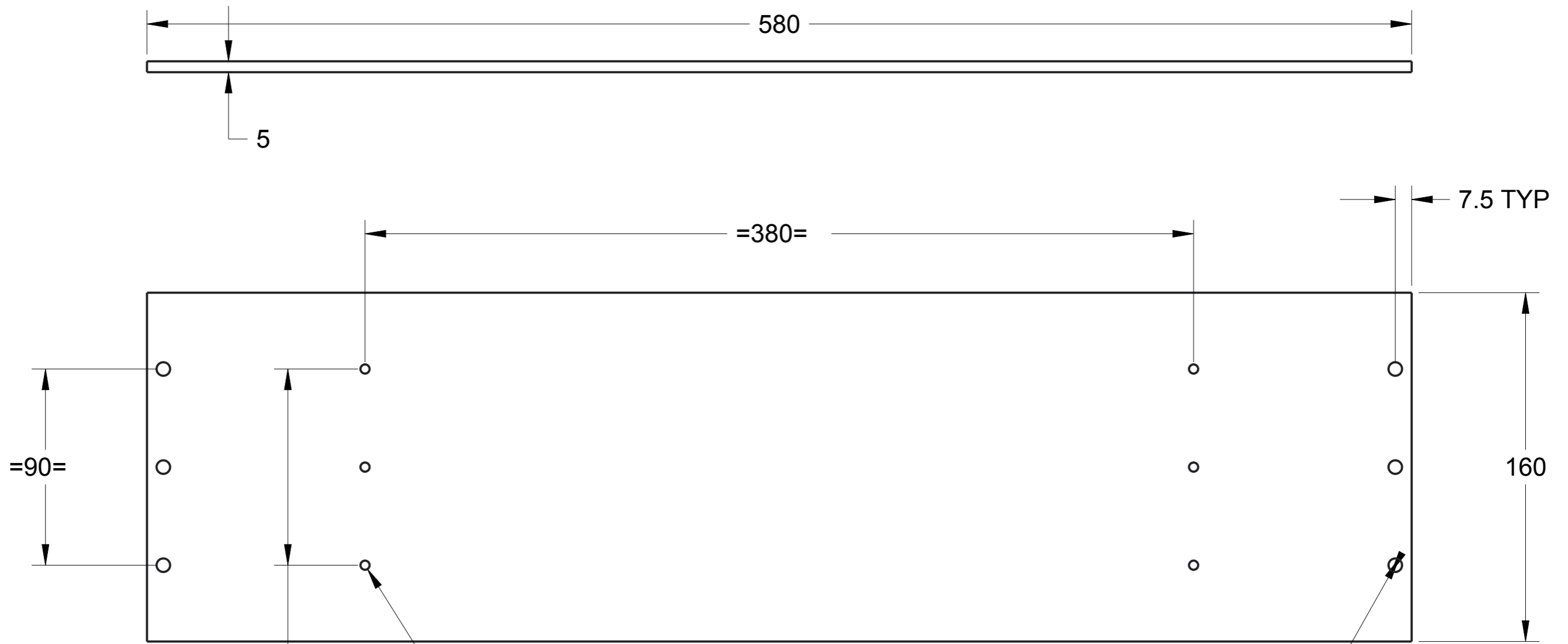
* NOTE :
ALL DIMENSIONS ARE IN mm

This drawing is our property. it can't be produced or communicated without our written agreement.		INSTITUTE FOR PLASMA RESEARCH	
DRAWN BY	DATE	LINK 3 VERTICAL PLATE	
CHECKED BY	DATE	A3 SIZE	IPR/RHRTD/IVIS/DRG- 28
		MATERIAL : AL6061-T6	WEIGHT : 1.41 kg
			SHEET



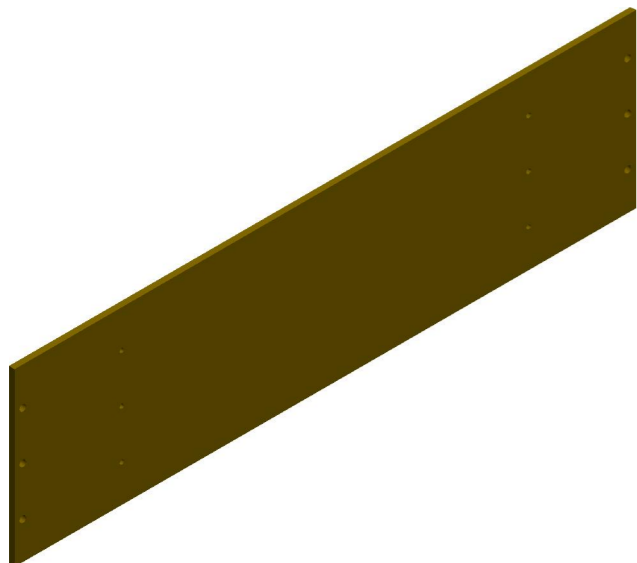
* NOTE :
ALL DIMENSIONS ARE IN mm

This drawing is our property. it can't be produced or communicated without our written agreement.		INSTITUTE FOR PLASMA RESEARCH	
DRAWN BY	DATE	LINK 4 HORIZONTAL PLATE	
CHECKED BY	DATE	A3 SIZE	IPR/RHRTD/IVIS/DRG- 29
		MATERIAL : AL6061-T6	WEIGHT : 0.55 kg
			SHEET



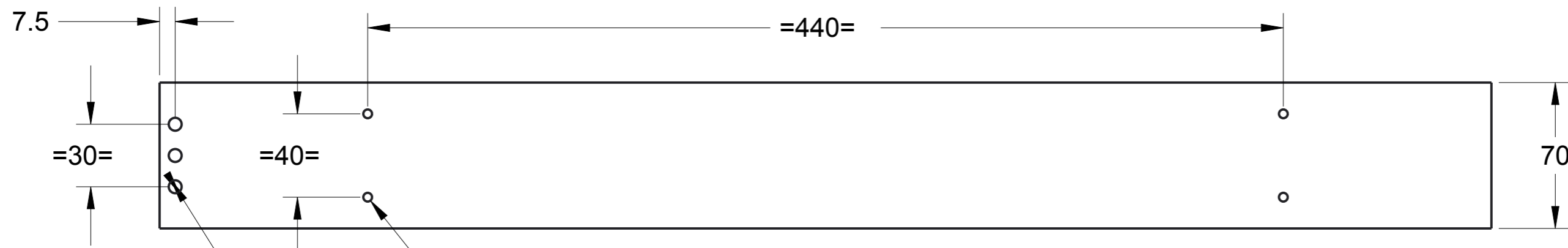
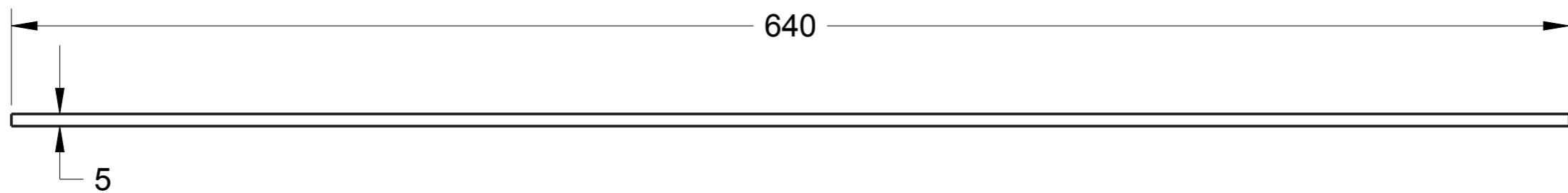
6 NOS. THROUGH HOLES OF ϕ 4.2

6 NOS. THROUGH HOLES OF ϕ 6.2



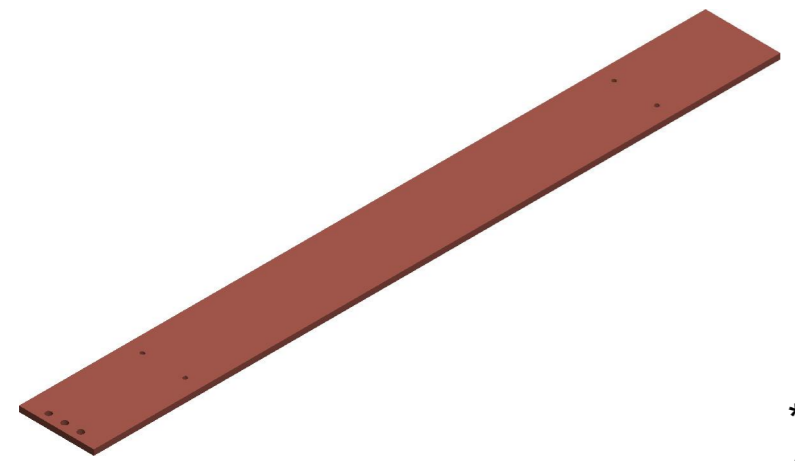
* NOTE :
ALL DIMENSIONS ARE IN mm

This drawing is our property. it can't be produced or communicated without our written agreement.		INSTITUTE FOR PLASMA RESEARCH		
DRAWN BY	DATE	LINK 4 VERTICAL PLATE		
CHECKED BY	DATE	A3 SIZE	IPR/RHRTD/IVIS/DRG- 30	
		MATERIAL : AL6061-T6	WEIGHT : 1.25 kg	SHEET



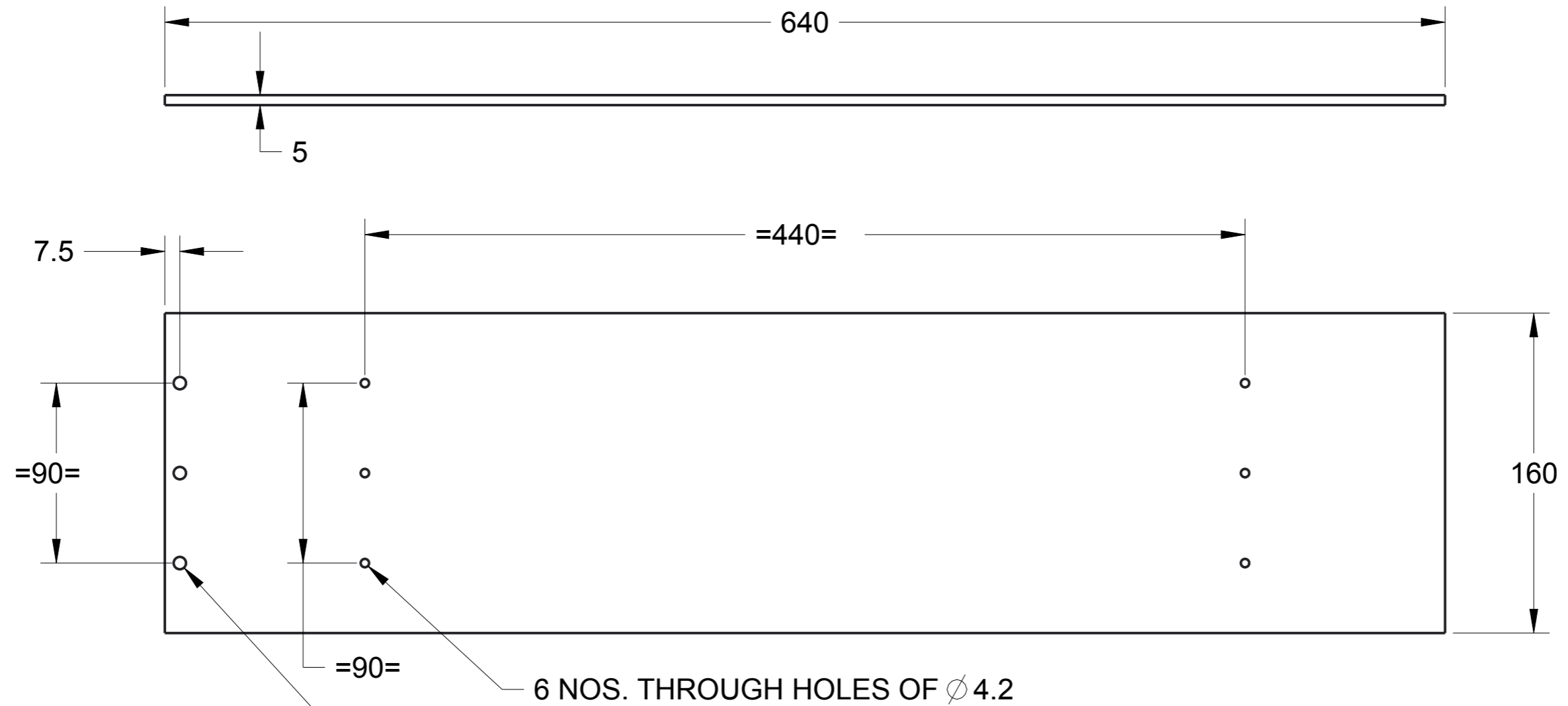
4 NOS. THROUGH HOLES OF ϕ 4.2

3 NOS. THROUGH HOLES OF ϕ 6.2



* NOTE :
ALL DIMENSIONS ARE IN mm

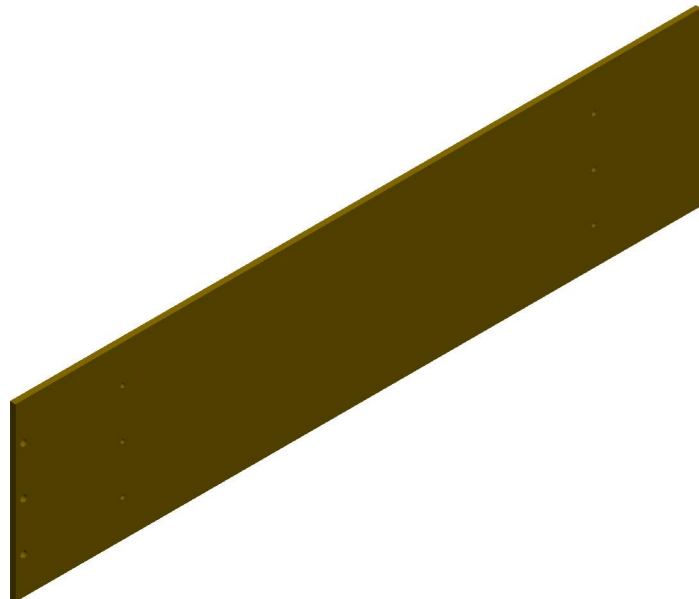
This drawing is our property. it can't be produced or communicated without our written agreement.		INSTITUTE FOR PLASMA RESEARCH		
DRAWN BY	DATE	LINK 5 HORIZONTAL PLATE		
CHECKED BY	DATE	A3 SIZE	IPR/RHRTD/IVIS/DRG- 31	
		MATERIAL : AL6061-T6	WEIGHT : 0.61 kg	SHEET



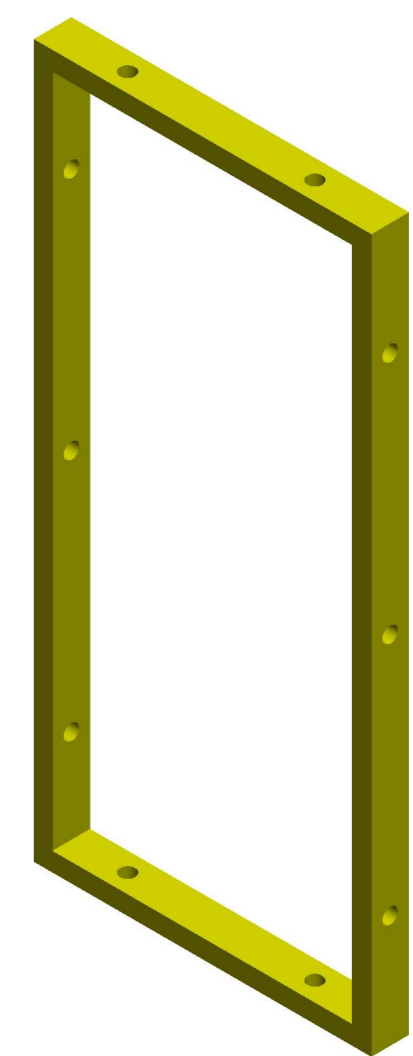
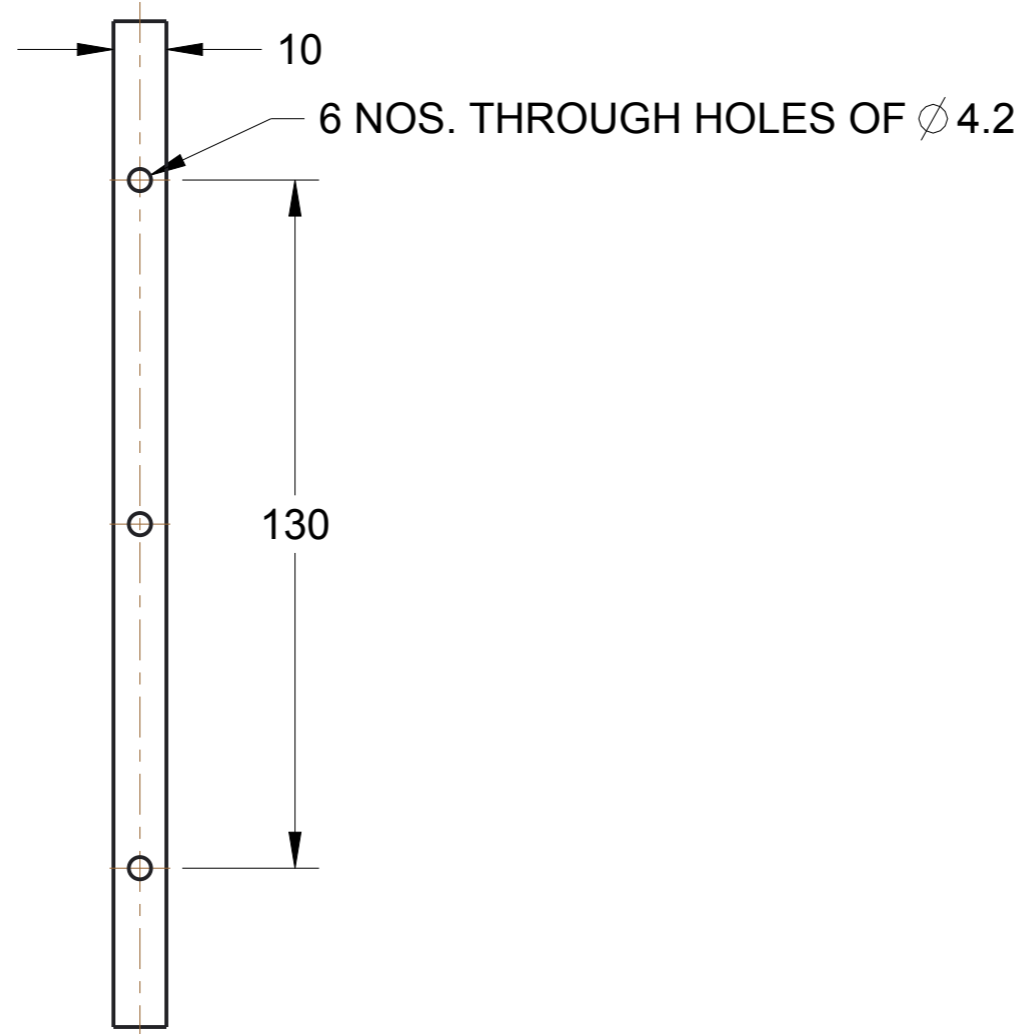
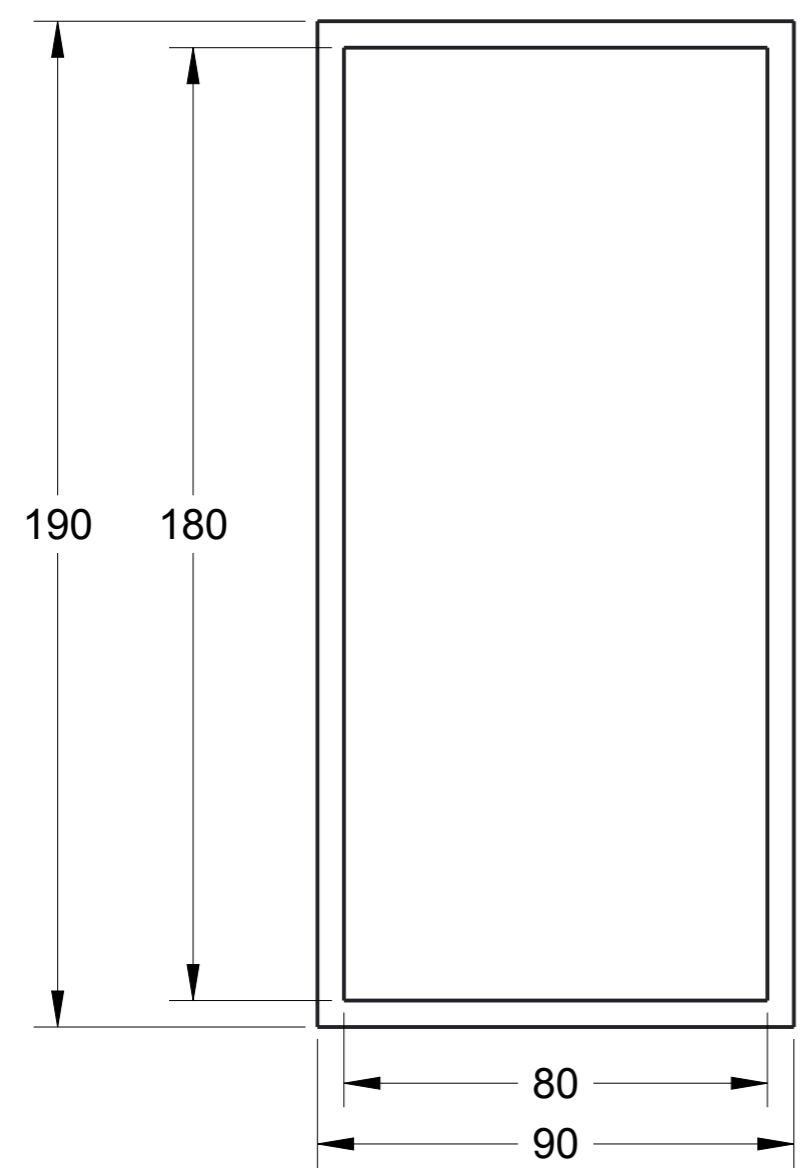
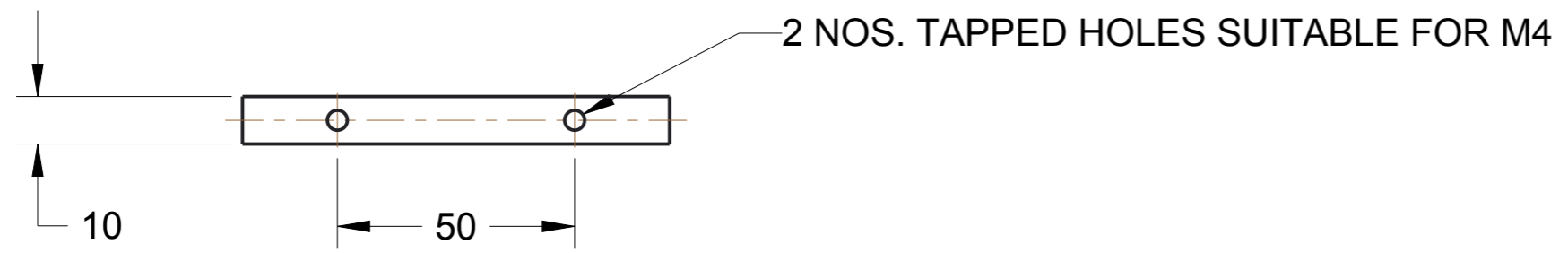
6 NOS. THROUGH HOLES OF ϕ 4.2

3 NOS. THROUGH HOLES OF ϕ 6.2

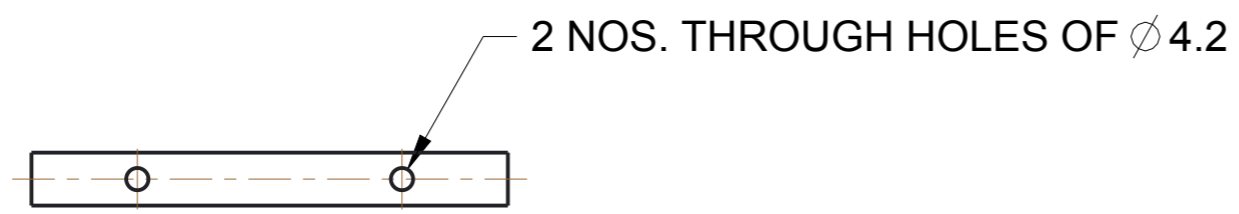
* NOTE :
ALL DIMENSIONS ARE IN mm



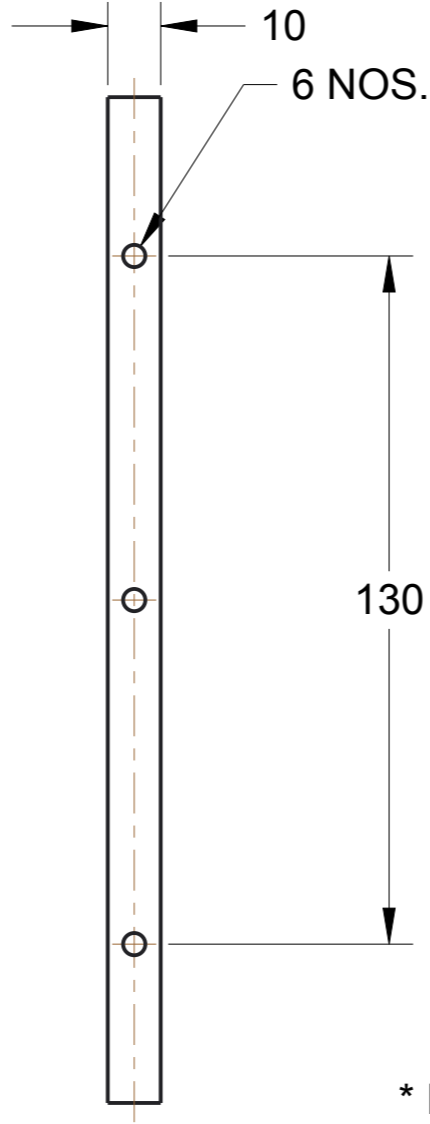
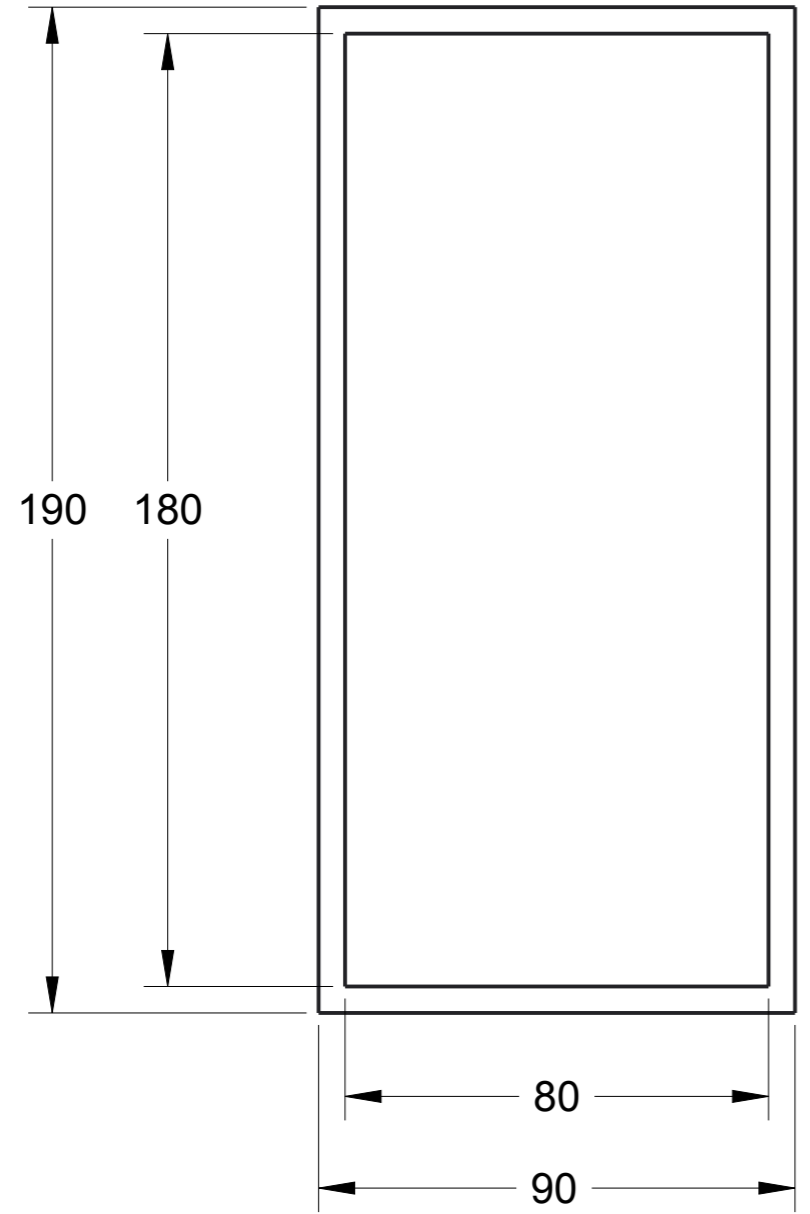
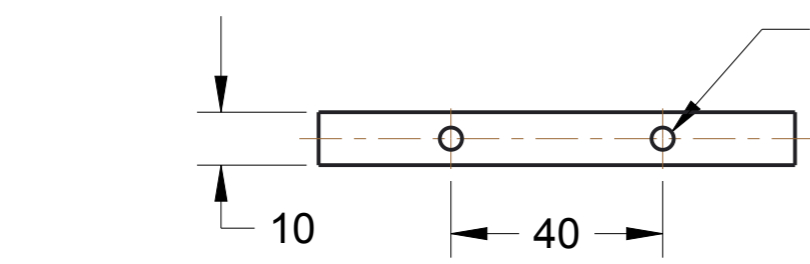
This drawing is our property. it can't be produced or communicated without our written agreement.		INSTITUTE FOR PLASMA RESEARCH	
DRAWN BY	DATE	LINK 5 VERTICAL PLATE	
CHECKED BY	DATE	A3 SIZE	IPR/RHRTD/IVIS/DRG- 32
		MATERIAL : AL6061-T6	WEIGHT : 1.38 kg
			SHEET



* NOTE :
1) ALL DIMENSIONS ARE IN mm.



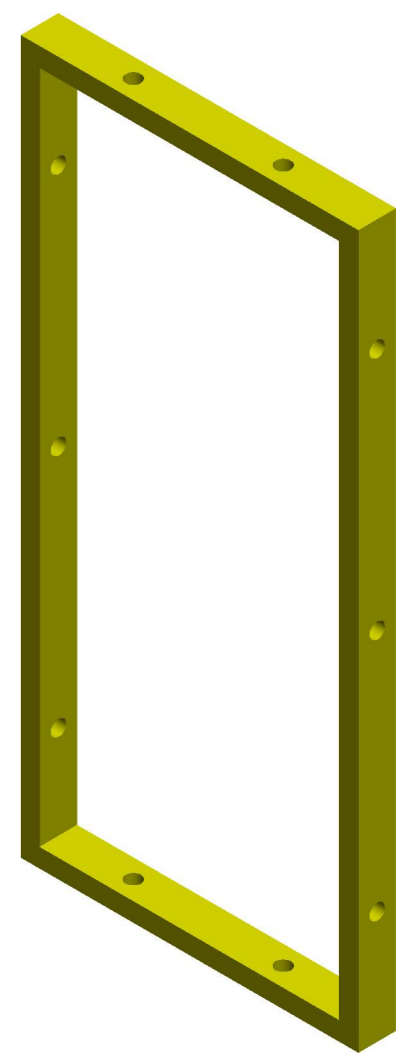
This drawing is our property. it can't be produced or communicated without our written agreement.		INSTITUTE FOR PLASMA RESEARCH		
DRAWN BY	DATE	LINK 0 STIFFNER		
CHECKED BY	DATE	A3 SIZE	IPR/RHRTD/IVIS/DRG- 33	
 		MATERIAL : SS304	WEIGHT : 0.204 kg	SHEET



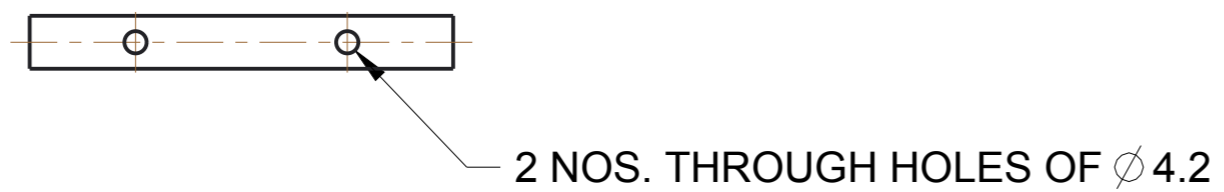
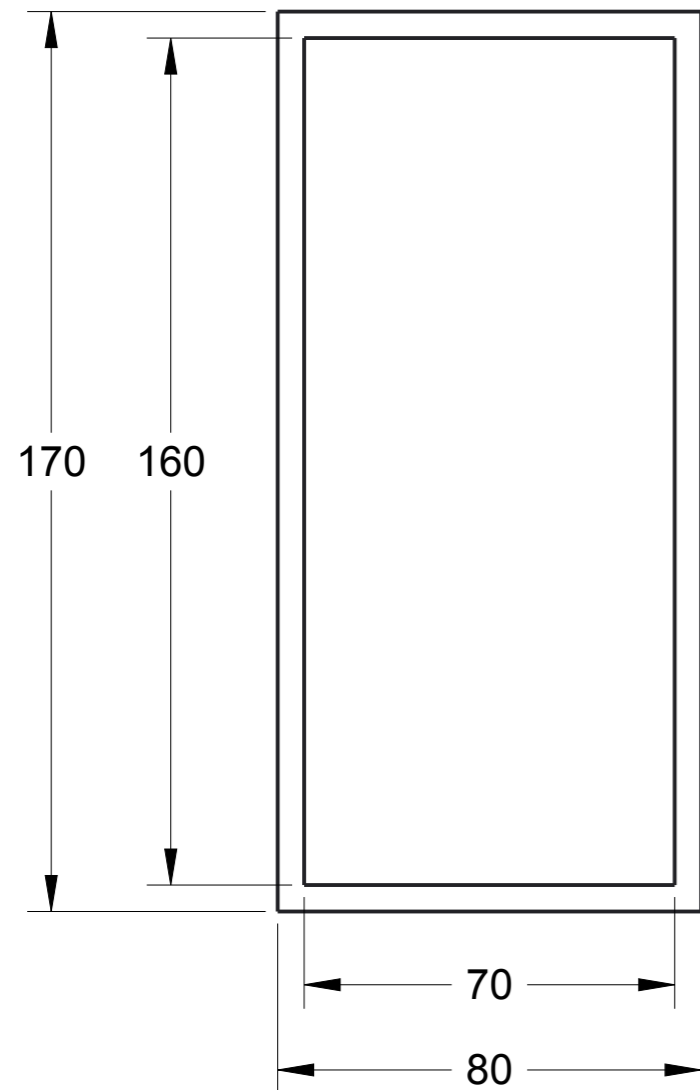
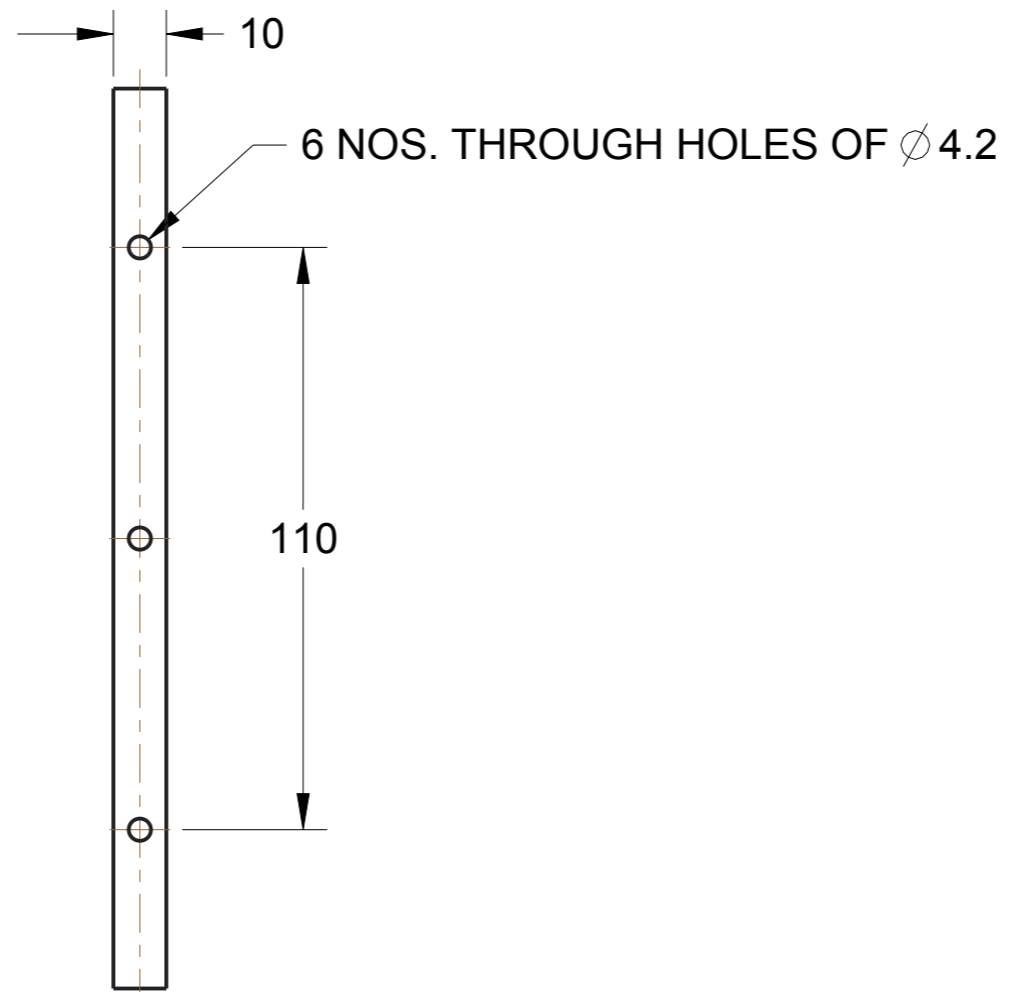
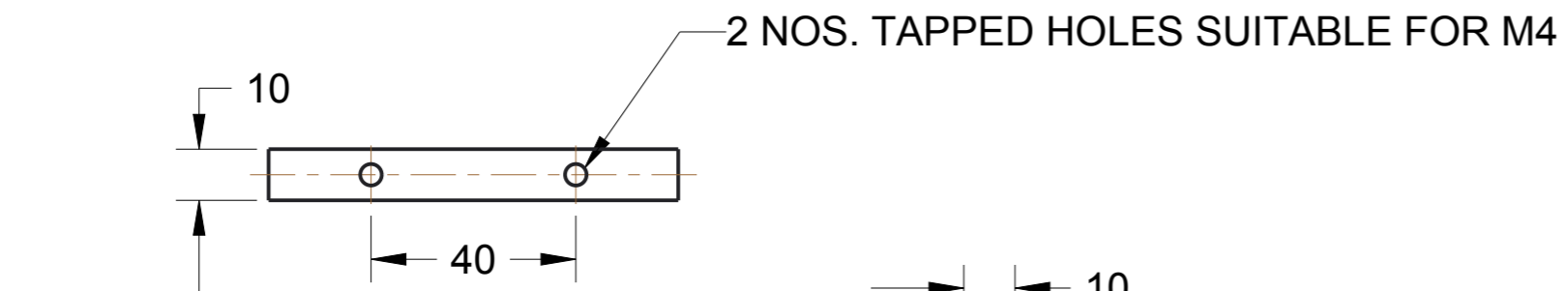
* NOTE :
1) ALL DIMENSIONS ARE IN mm.



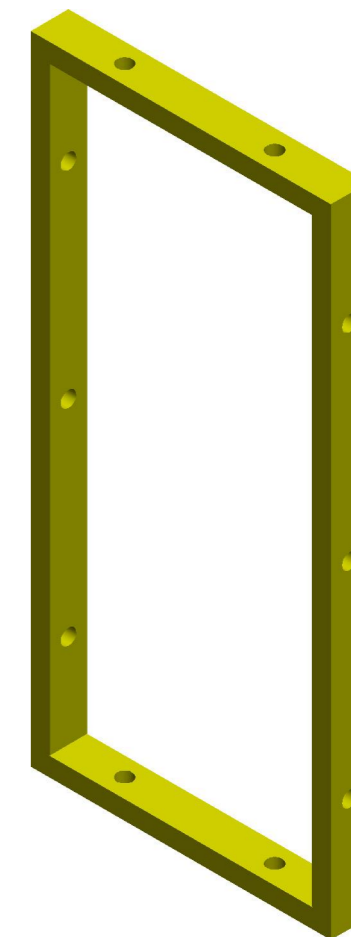
2 NOS. THROUGH HOLES OF ϕ 4.2



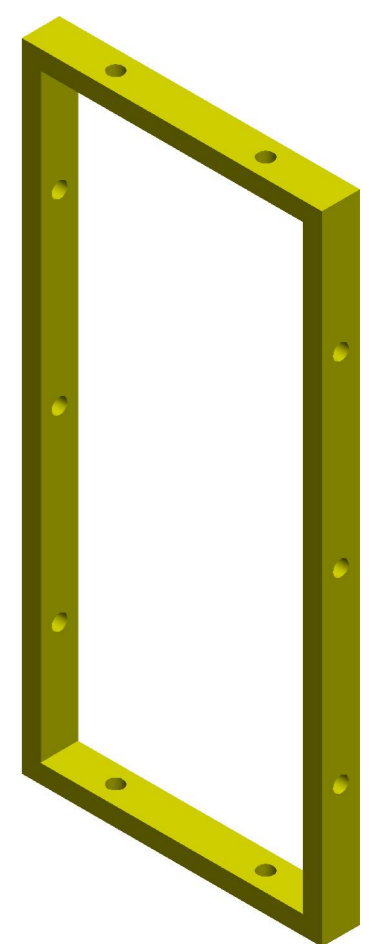
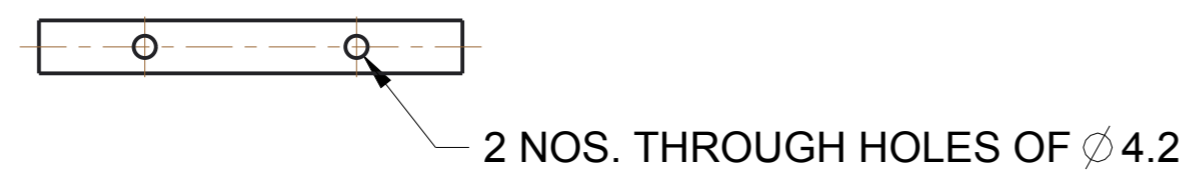
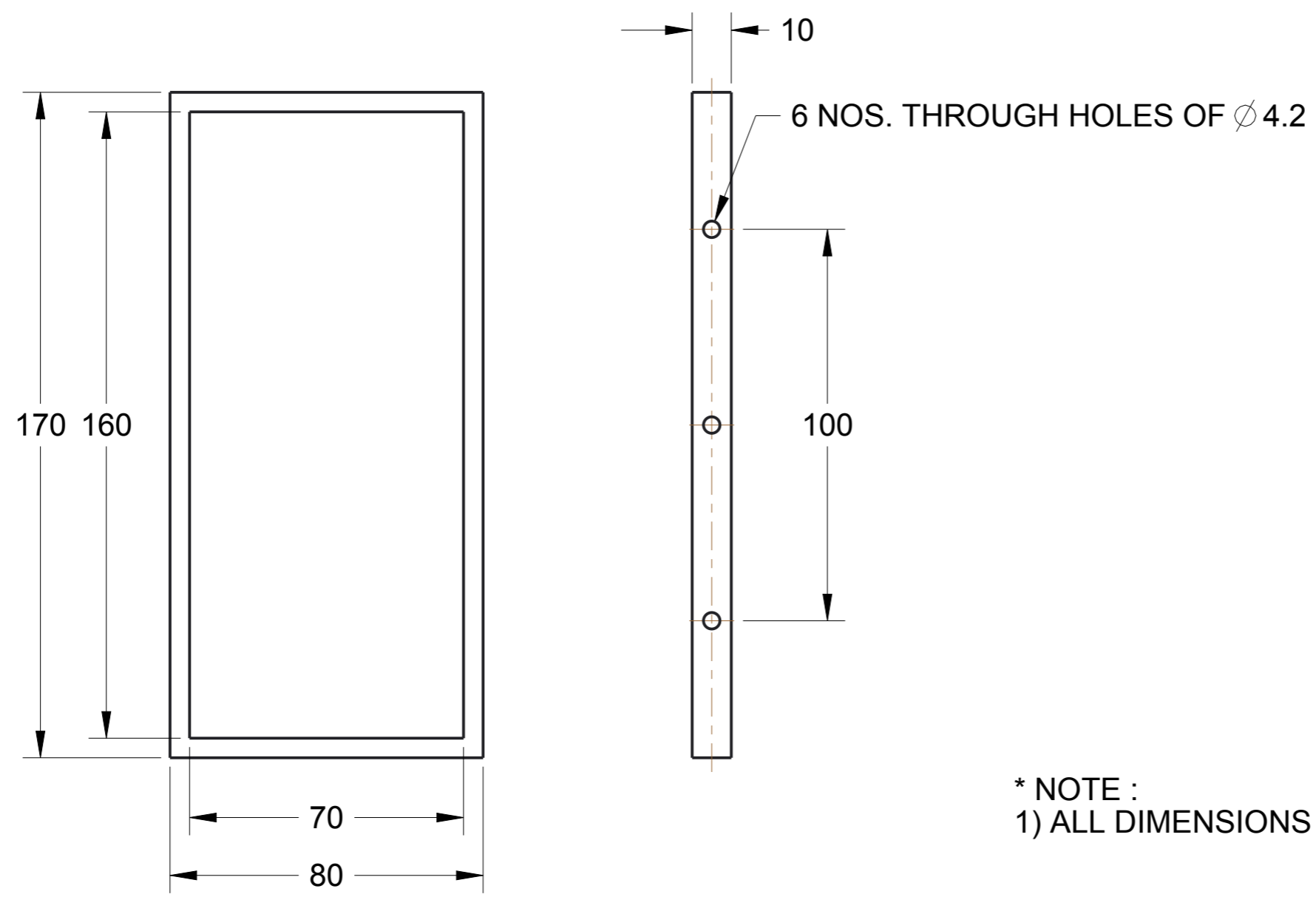
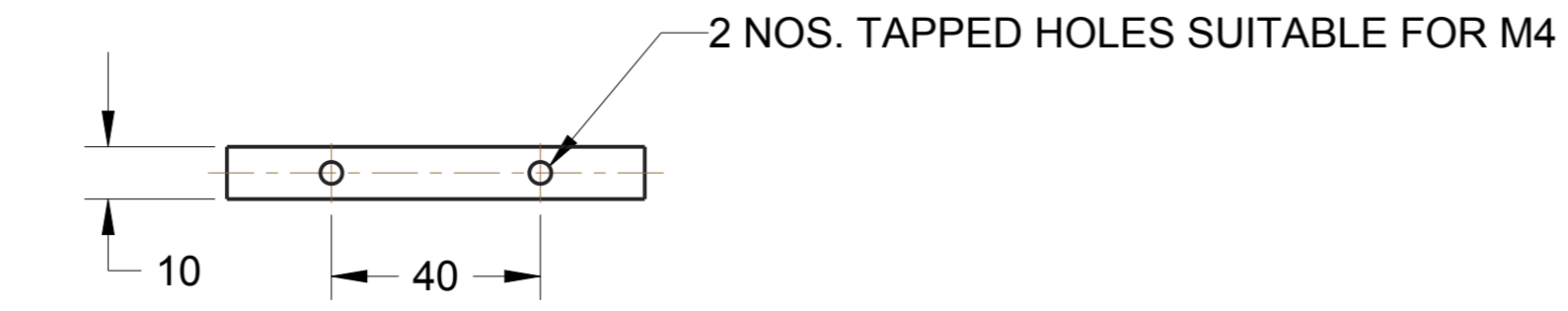
This drawing is our property. it can't be produced or communicated without our written agreement.		INSTITUTE FOR PLASMA RESEARCH		
DRAWN BY	DATE	LINK 1 STIFFNER		
CHECKED BY	DATE	A3 SIZE	IPR/RHRTD/IVIS/DRG- 34	
		MATERIAL : SS304	WEIGHT : 0.204 kg	SHEET



* NOTE :
1) ALL DIMENSIONS ARE IN mm.

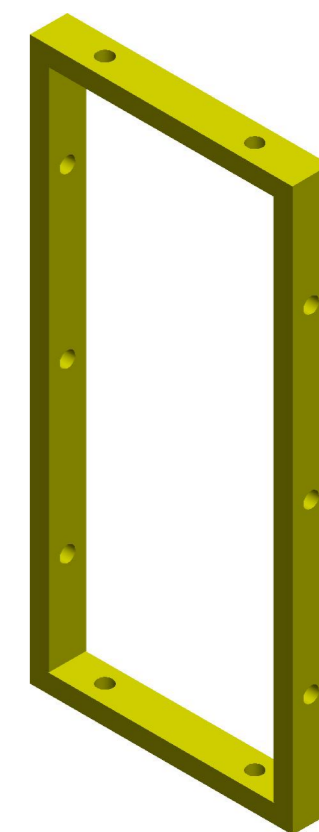
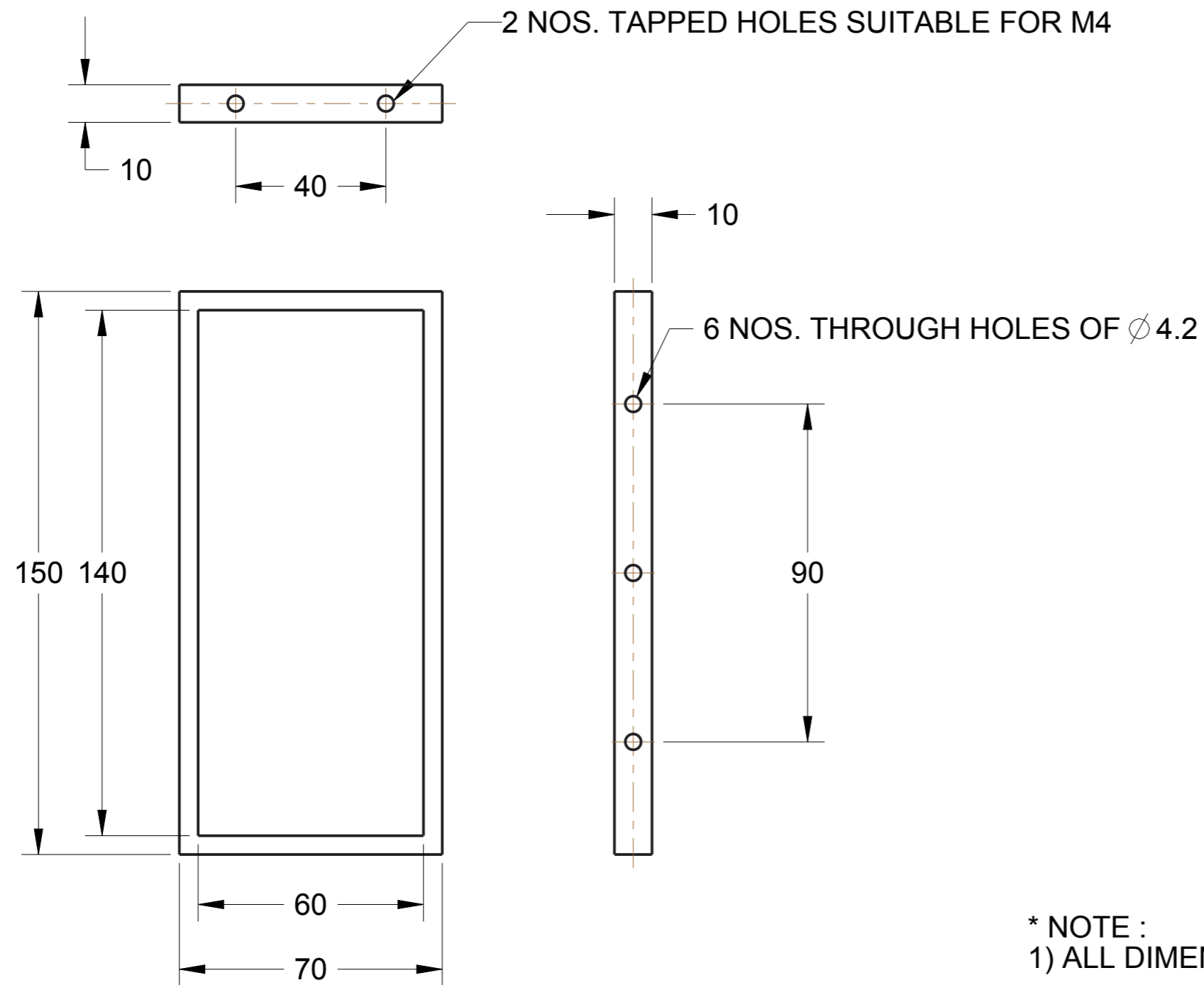


This drawing is our property. it can't be produced or communicated without our written agreement.		INSTITUTE FOR PLASMA RESEARCH		
DRAWN BY	DATE	LINK 2 STIFFNER		
CHECKED BY	DATE	A3 SIZE	IPR/RHRTD/IVIS/DRG- 35	
		MATERIAL : SS304	WEIGHT : 0.180 kg	SHEET



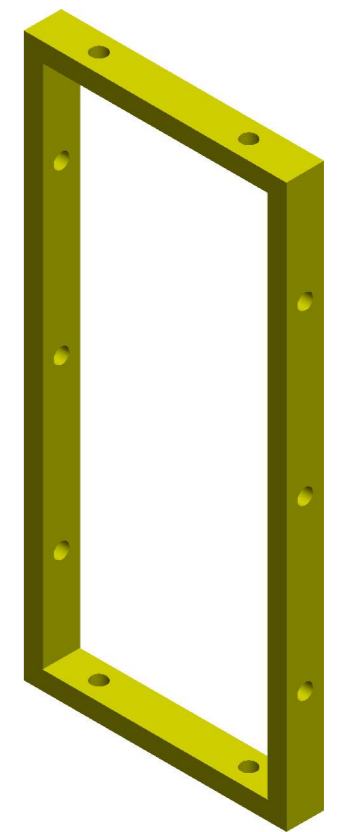
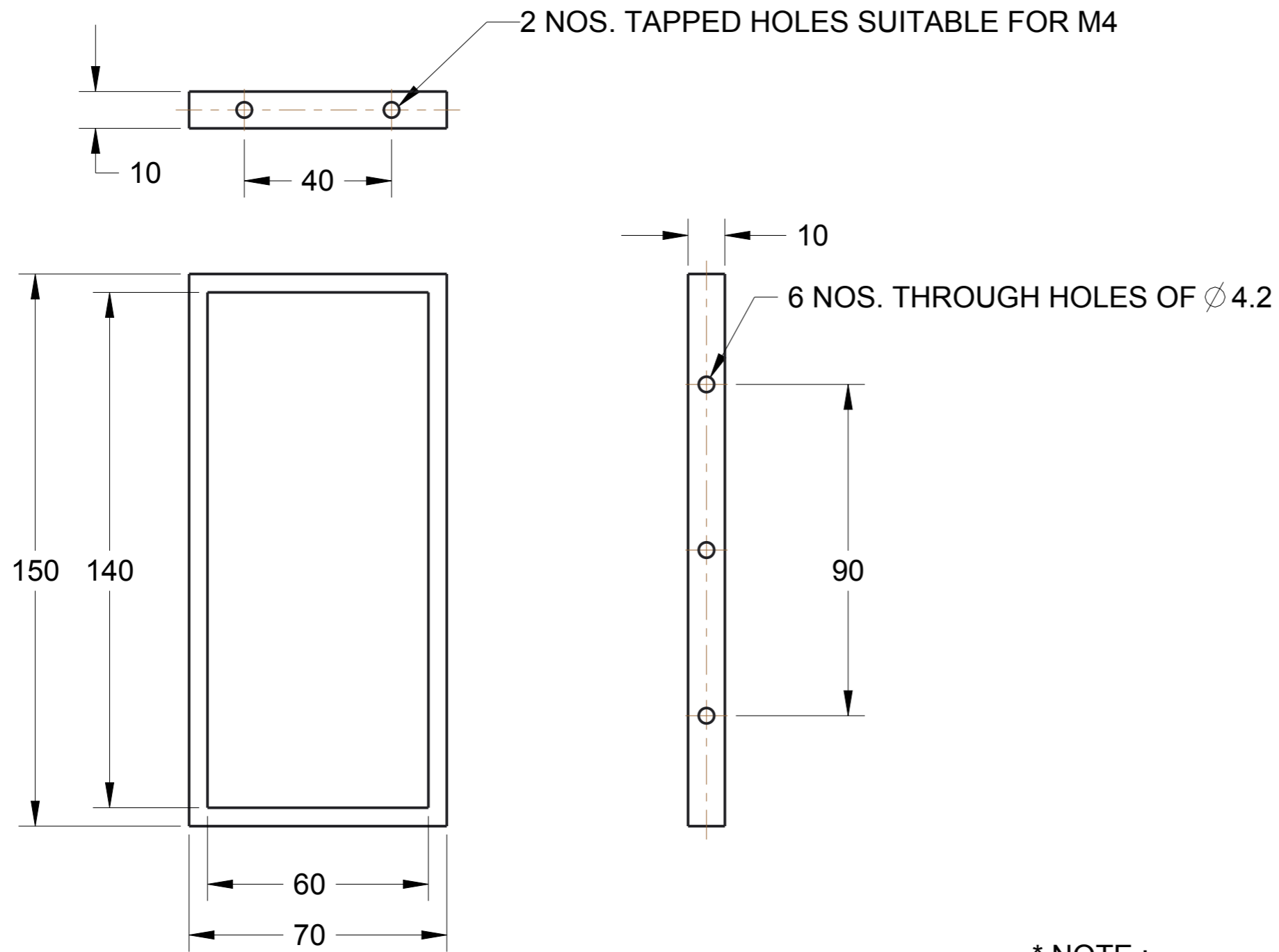
* NOTE :
1) ALL DIMENSIONS ARE IN mm.

This drawing is our property. it can't be produced or communicated without our written agreement.		INSTITUTE FOR PLASMA RESEARCH		
DRAWN BY	DATE	LINK 3 STIFFNER		
CHECKED BY	DATE	A3 SIZE	IPR/RHRTD/IVIS/DRG- 36	
		MATERIAL : SS304	WEIGHT : 0.180 kg	SHEET



* NOTE :
1) ALL DIMENSIONS ARE IN mm.

This drawing is our property. it can't be produced or communicated without our written agreement.		INSTITUTE FOR PLASMA RESEARCH		
DRAWN BY	DATE	LINK 4 STIFFNER		
CHECKED BY	DATE	A3 SIZE	IPR/RHRTD/IVIS/DRG- 37	
		MATERIAL : SS304	WEIGHT : 0.157 kg	SHEET



* NOTE :
1) ALL DIMENSIONS ARE IN mm.

This drawing is our property. it can't be produced or communicated without our written agreement.		INSTITUTE FOR PLASMA RESEARCH		
DRAWN BY	DATE	LINK 5 STIFFNER		
CHECKED BY	DATE	A3 SIZE	IPR/RHRTD/IVIS/DRG- 38	
		MATERIAL : SS304	WEIGHT : 0.157 kg	SHEET